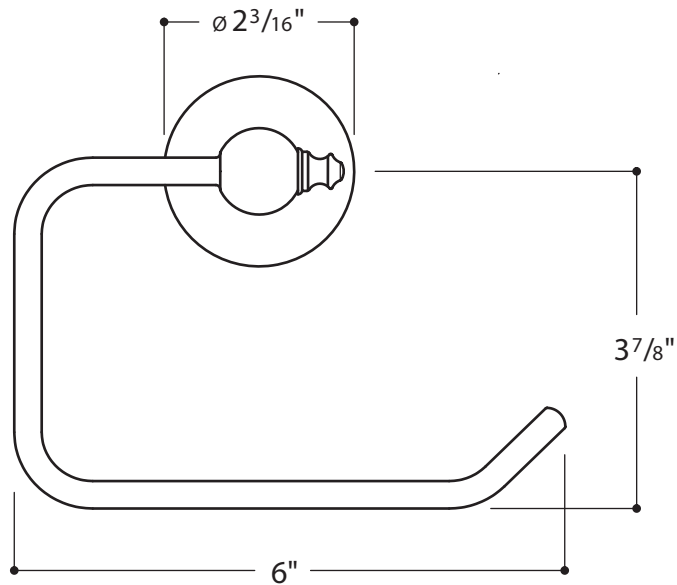
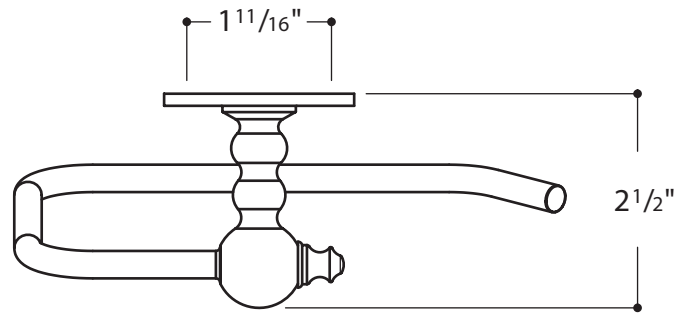


ETOILE

PAPER HOLDER
ETPH37



Note:

- Wood blocking is recommended to ensure adequate support.

All dimensions are based on original specifications and are subject to change and variation. Please consult your Design Associate for current specification.