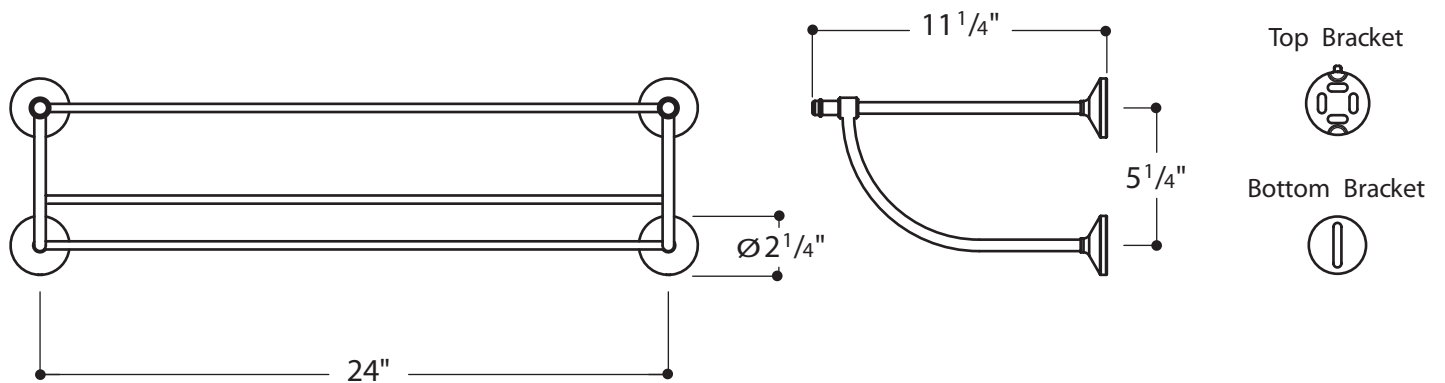


HOTEL RACK
BMHR50



Note:

- Blocking required for mounting
- Width cannot be changed
- Secure mounting plates to mounting surface at the proper spread. Place assembly onto upper bracket then position assembly over lower bracket. Tighten 2mm set screws to secure assembly to mounting brackets.

All dimensions are based on original specifications and are subject to change and variation. Please consult your Design Associate for current specification.