

B E L V E D E R E

WWBT20D

WWBT20DS (slip resistant)

DRAIN OPTIONS

FDW076 (Traditional)
& **ZUPWO01** (tailpiece)

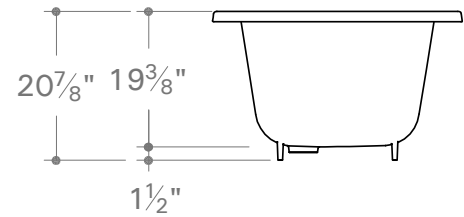
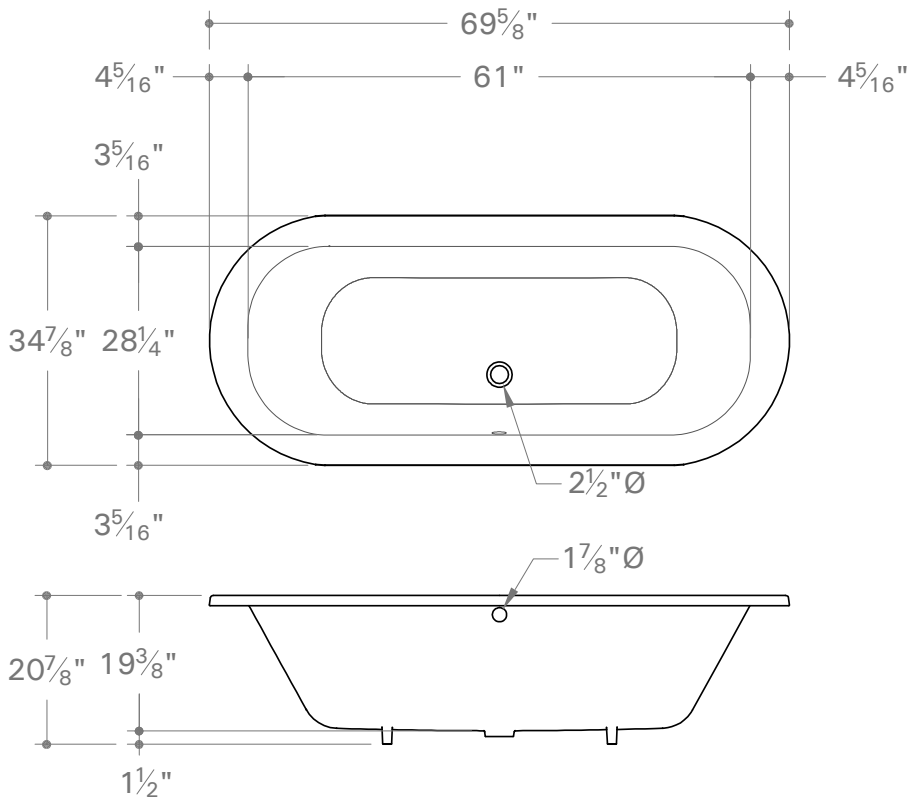
FDW051 (Waterworks)
& **ZUPWO01** (tailpiece)

8 JET WHIRPOOL OPTIONS

DUWP06 (right hand pump)
DUWP07 (left hand pump)

INLINE HEATER OPTIONS

DUWP01



Notes:

Bathing, Soaking or Shower applications

Installation Type:

- Drop-in
- Undermount

Specifications:

- Maximum Capacity: 80 gallons
- Weight (without water): 371 lbs.
- Drain sold separately

All dimensions are based on original specifications and are subject to change and variation. Please consult your Design Associate for current specification.

Dimensions are nominal and may vary within the range of tolerances established by ASME/ANSI standards.