

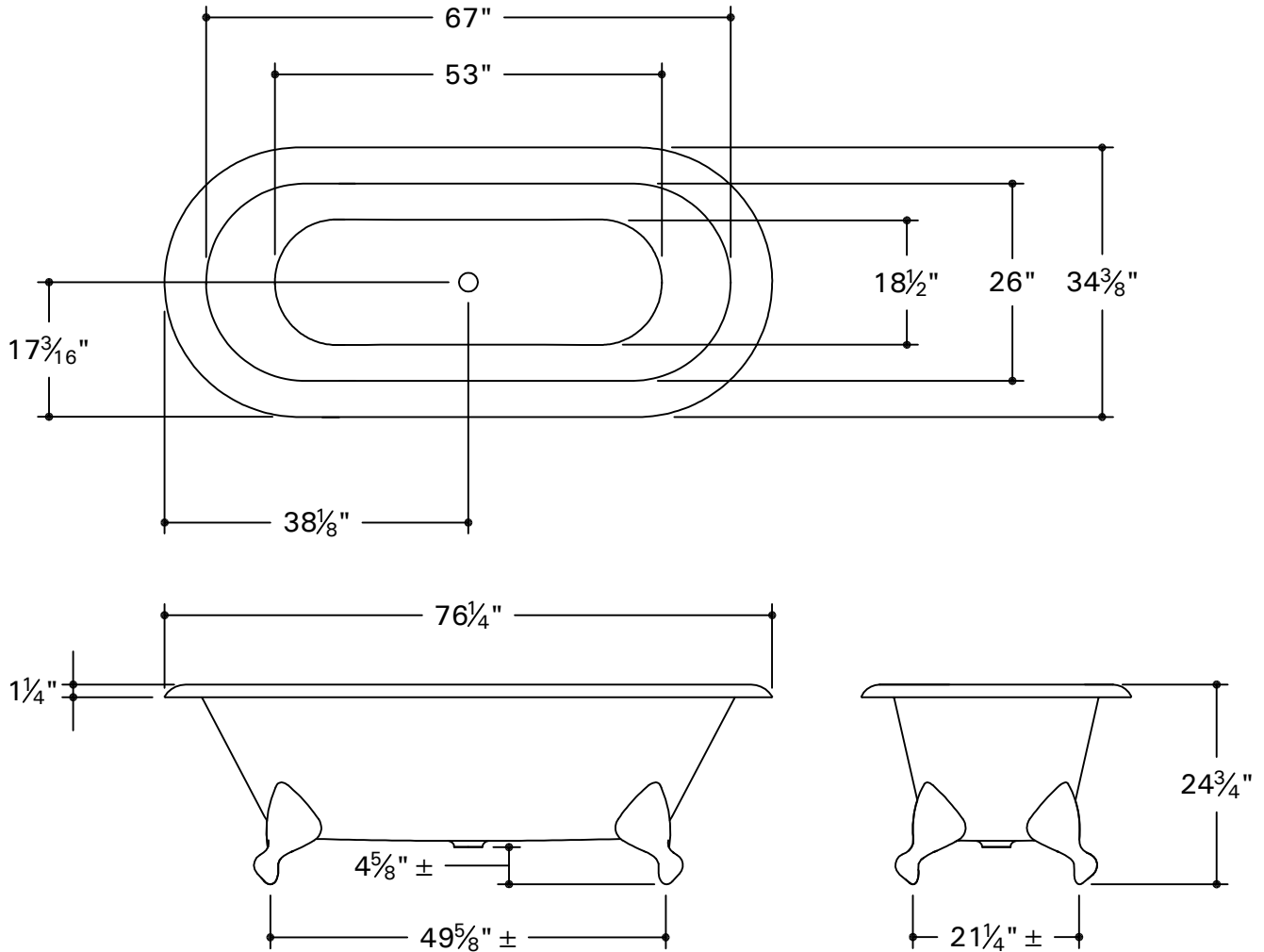
B E A U M O N T

FREESTANDING TUB WITH CLAW FEET

WWBT17 (unpainted/primed)

WWBT17B (burnished)

WWBT17M (metallic)



Notes:

- Maximum Capacity: 69 gallons
- Weight: 394 lbs.
- Drain: WWDR02

All dimensions are based on original specifications and are subject to change and variation. Please consult your Design Associate for current specification.

Dimensions are nominal and may vary within the range of tolerances established by ASME/ANSI standards.