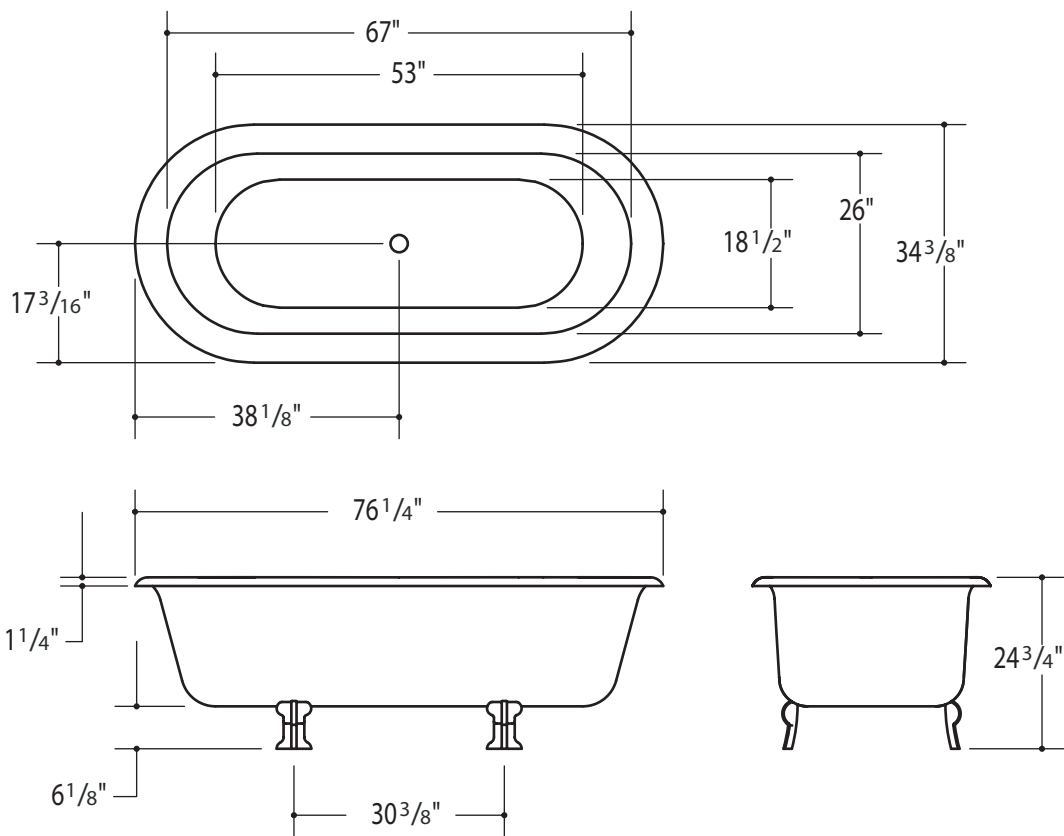


BEAUMONT

BATHTUB

WWBT16 ~ unpainted

WWBT16B ~ burnished



Notes:

Maximum Capacity: 69 gallons

Weight: 394 lbs.

Drain: WWDR02

All dimensions are based on original specifications and are subject to change and variation.

Please consult your Design Associate for current specification.