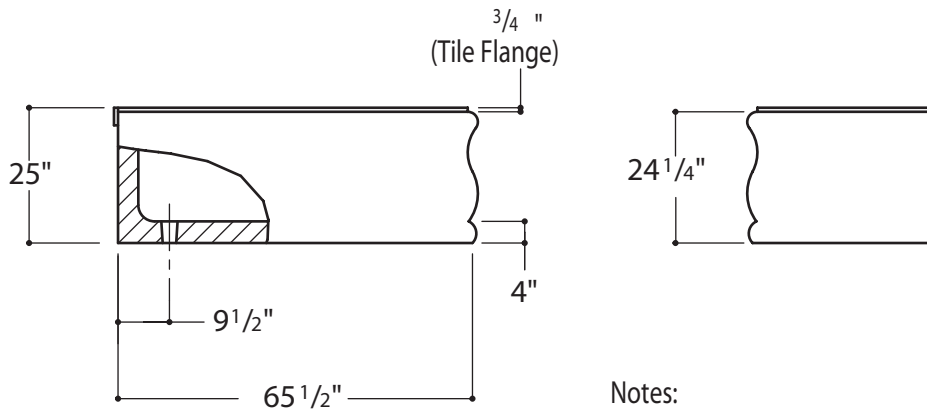
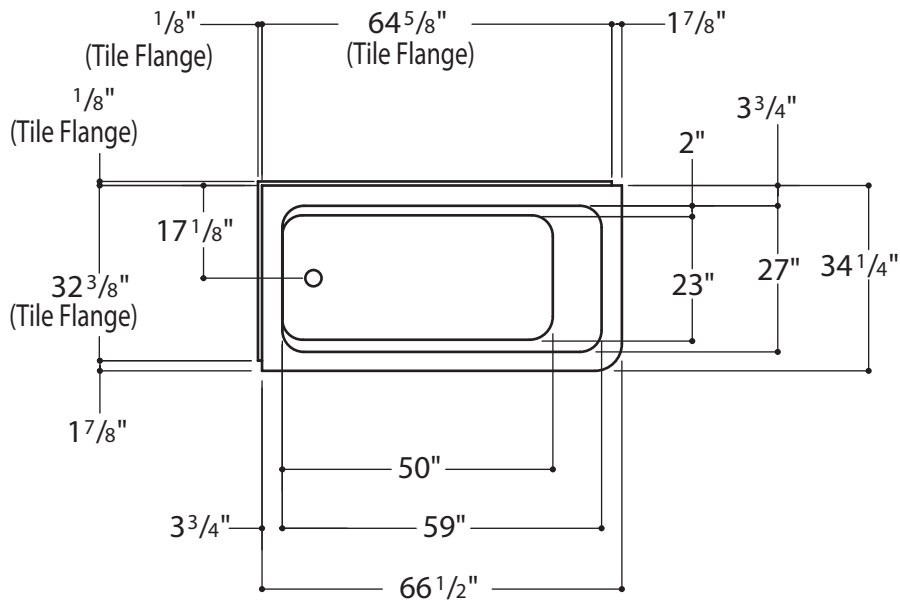


Corner Tub (Left Hand)
EMBT02



Notes:
 Maximum Capacity: 80 gallons
 Weight: 190 lbs.
 Drain: EMDR01

All dimensions are based on original specifications and are subject to change and variation. Please consult your Design Associate for current specification.