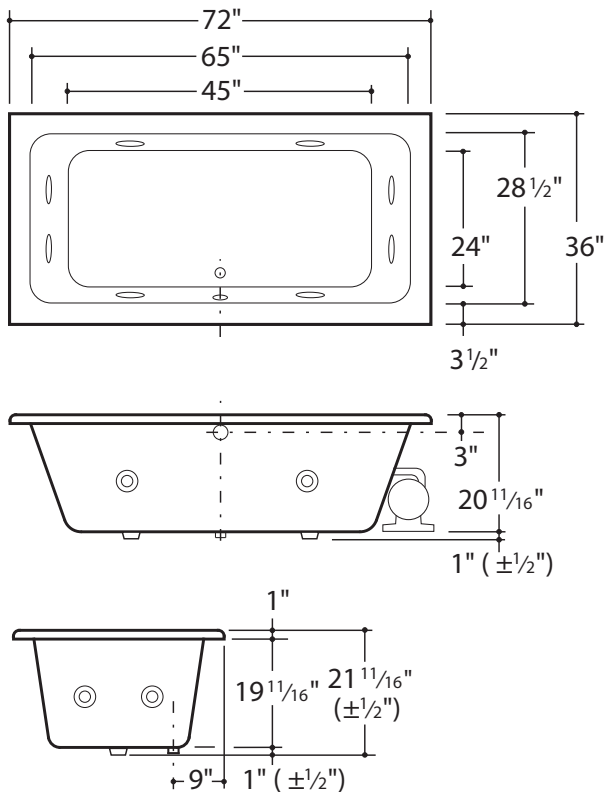
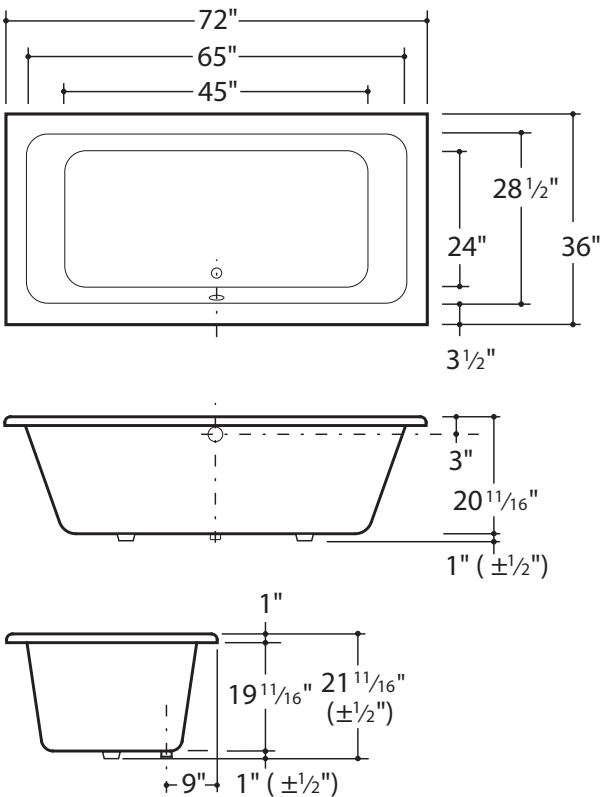


# CLASSIC I

BATHTUB ONLY  
**CLBT01**

WASTE AND OVERFLOW

WHIRLPOOL BATHTUB  
**CLWPI0** (left pump)  
**CLWPI1** (right pump)



Whirlpool Note:  
 1 horsepower motor 1 15 volt /20 amp  
 In-line heater (optional)  
 requires additional 1 15 volt line

Must have access panel  
 with minimum dimensions of  
 16" H x 20" W at pump location

All dimensions are based on original specifications and are subject to change and variation. Please consult your Design Associate for current specification.