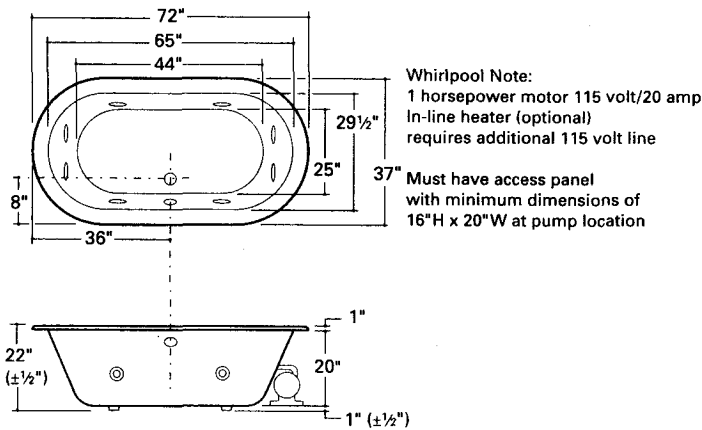
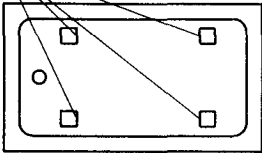


## CLWP 40 / CLWP 41

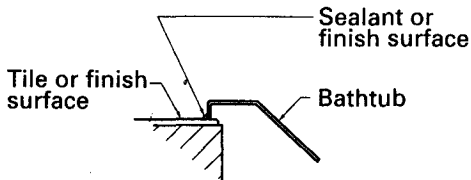


**FIGURE 1**

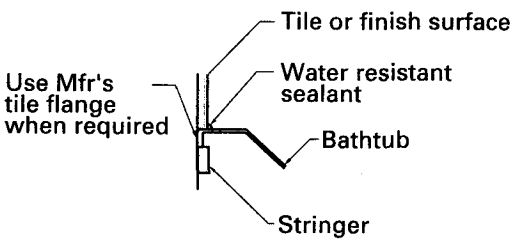
Apply construction adhesive to support feet



**FIGURE 2**



**FIGURE 3**



## INSTALLATION GUIDELINES:

The bath is assembled complete and ready for installation. Immediately after receiving the bath and removal of packing, **INSPECT** the unit for freight damage. Any claims for damage, whether apparent or hidden, must be made to the carrier immediately in order for them to assume all associated costs. Should inspection reveal any defect in the finish, do not install the bath. Damage or defect to the finish claimed after the bath is installed is excluded from the warranty. The warranty **DOES NOT** cover labor or materials to remove or reinstall the bath.

### PRIOR TO INSTALLATION, CHECK TO ENSURE THAT:

- The installation will be in compliance with all applicable federal, state, and local building codes and regulations.
- The unit is the correct model and there is no shipping damage.
- The installer has read and thoroughly understands "notice" or "warning" tags on the bathtub.
- The tub is free of leaks (see "Testing System Operation").
- The interior of the tub will be protected during installation.
- Undermount applications: When installing as an undermount, the on/off sensor post must be replaced with the extended version. This will accommodate a deck thickness up to 2" (to remove the existing sensor, remove nut and wire from underside of deck and lift sensor). Now the extended-length sensor post can be fitted in the same manner as the original.
- NOTE: Extended post item number is CLPAR4.

### BATHTUB INSTALLATION:

Be sure to take any necessary precautions to keep the tub protected during installation.

- If subfloor is not level, some shimming of the tub will be required.
- Do not lift the bathtub by the circulation piping.
- Apply a generous amount of construction adhesive to the bottom of the support feet. Set the bath in the desired location.
- If desired, a traditional mortar "wetbed" may be used to support the tub.
- Do not hang the bathtub by the rim. Bath must be supported from the floor (bottom of tub) and resting on all support feet (see Figure 1, left).
- Level the top of the bathtub in both directions using a 4-foot level to ensure proper drainage. Test for drainage.
- Be sure to test the tub while pump, electrical, and piping systems are accessible.
- An access panel with minimum dimensions of 16" height by 20" width is required at the pump end of the bathtub to allow for pump accessibility in the event that maintenance or servicing is necessary. The area surrounding the pump must have sufficient air movement.
- For drop-in applications: Bring the tile or finish surface to the inside edge of the tub rim and seal with silicone caulk (as shown in Figure 2, left).
- For tiled-in applications: Bring the tile or finish surface down over face of optional tile flange and seal with silicone caulk (as shown in Figure 3, left).
- Cover the bathtub surface with a bathtub liner or other form of protection.

These guidelines have been prepared for the professional contractor to aid in the installation of:  
**CLASSIC OVAL WHIRLPOOL BATHTUB (CLBT 40 / CLWP 41)**

I/00

All dimensions are based on original specifications and are subject to change and variation. Please consult your Design Associate for current specifications.

**W A T E R W O R K S**