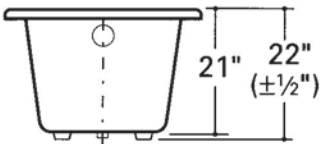
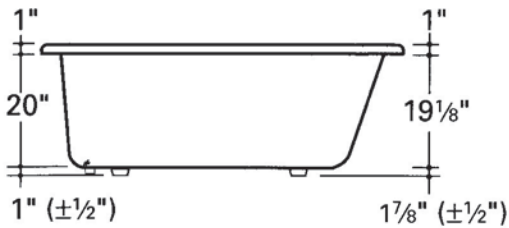
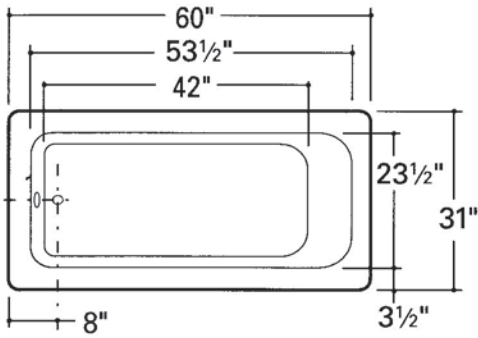


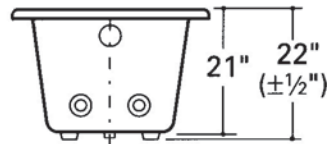
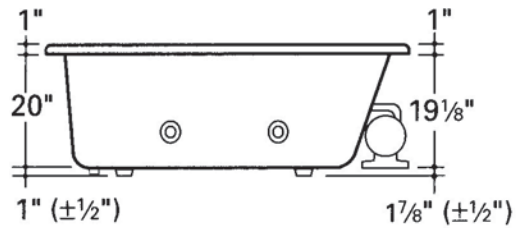
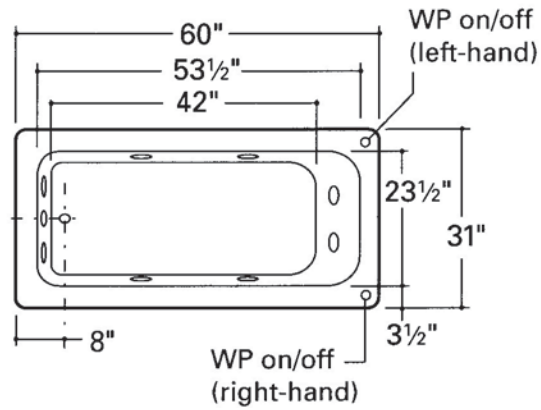
# CLASSIC III

## BATHTUB AND WHIRLPOOL BATH

### BATHTUB ONLY CLBT 03



### WHIRLPOOL BATHTUB CLWP 30 (left-hand) CLWP 31 (right-hand)



#### Notes:

- Whirlpool motor  
1-horsepower motor 120 volt/20 amp dedicated line. In-line heater (optional) requires additional 120 volt dedicated line.
- Must have access panel with minimum dimensions of 16"h x 20"w at pump location.
- minimum/maximum capacity:  
40/60 gallons
- Whirlpool will automatically shut off after 20 minutes of operation, however they can be immediately restarted.

All dimensions are based on original specifications and are subject to change and variation. Please consult your Design Associate for current specification.