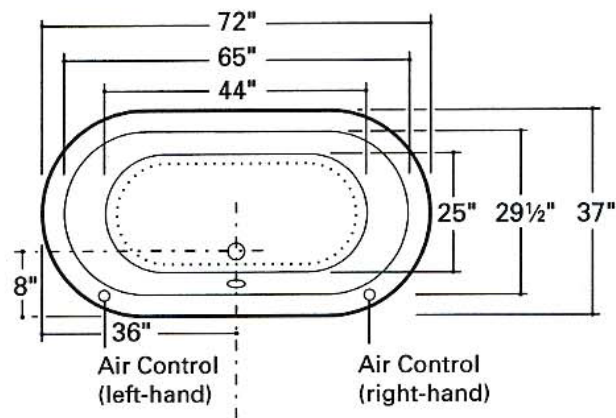
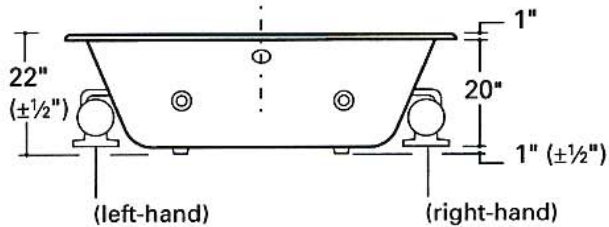
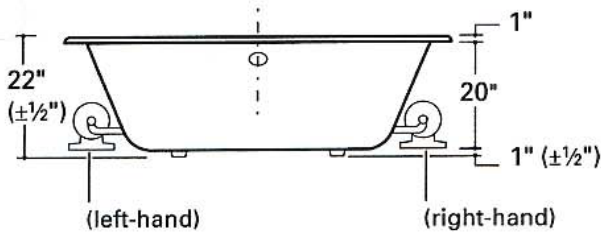
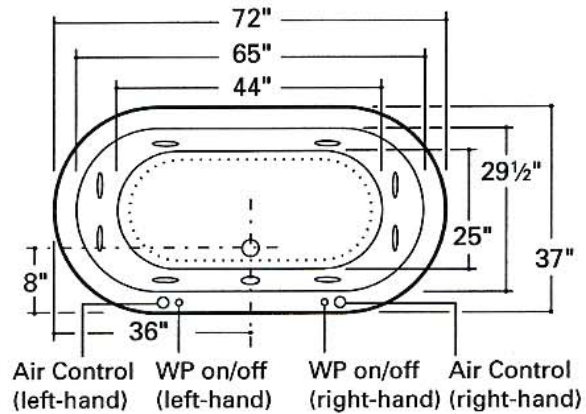


CLASSIC OVAL SMALL

BATHTUB WITH AIR
CLAT 502 (left-hand)
CLAT 512 (right-hand)



BATHTUB WITH AIR AND WHIRLPOOL
CLAW 502 (left-hand)
CLAW 512 (right-hand)



Notes:

- Airtub blower
120 volt/15amp dedicated line
- Blower/motor requires access panel
with min. dimensions of 16"H x 30"W
- Air holes approximately every 2"
around perimeter of bathing well.
- Whirlpool motor
1 horsepower
120 volt/20amp dedicated line

All dimensions are based on original specifications and are subject to change and variation. Please consult your Design Associate for current specification.

- Sufficient air space is required for the blower to function properly. Do not seal the surrounding area.
- Air blown into the bathtub is heated to prevent cooling of the water. This will not in any way reheat or maintain the temperature of the water.
- minimum/maximum capacity:
60 / 90 gallons
- Whirlpool and air blower will automatically shut off after 20 minutes of operation, however they can be immediately restarted.