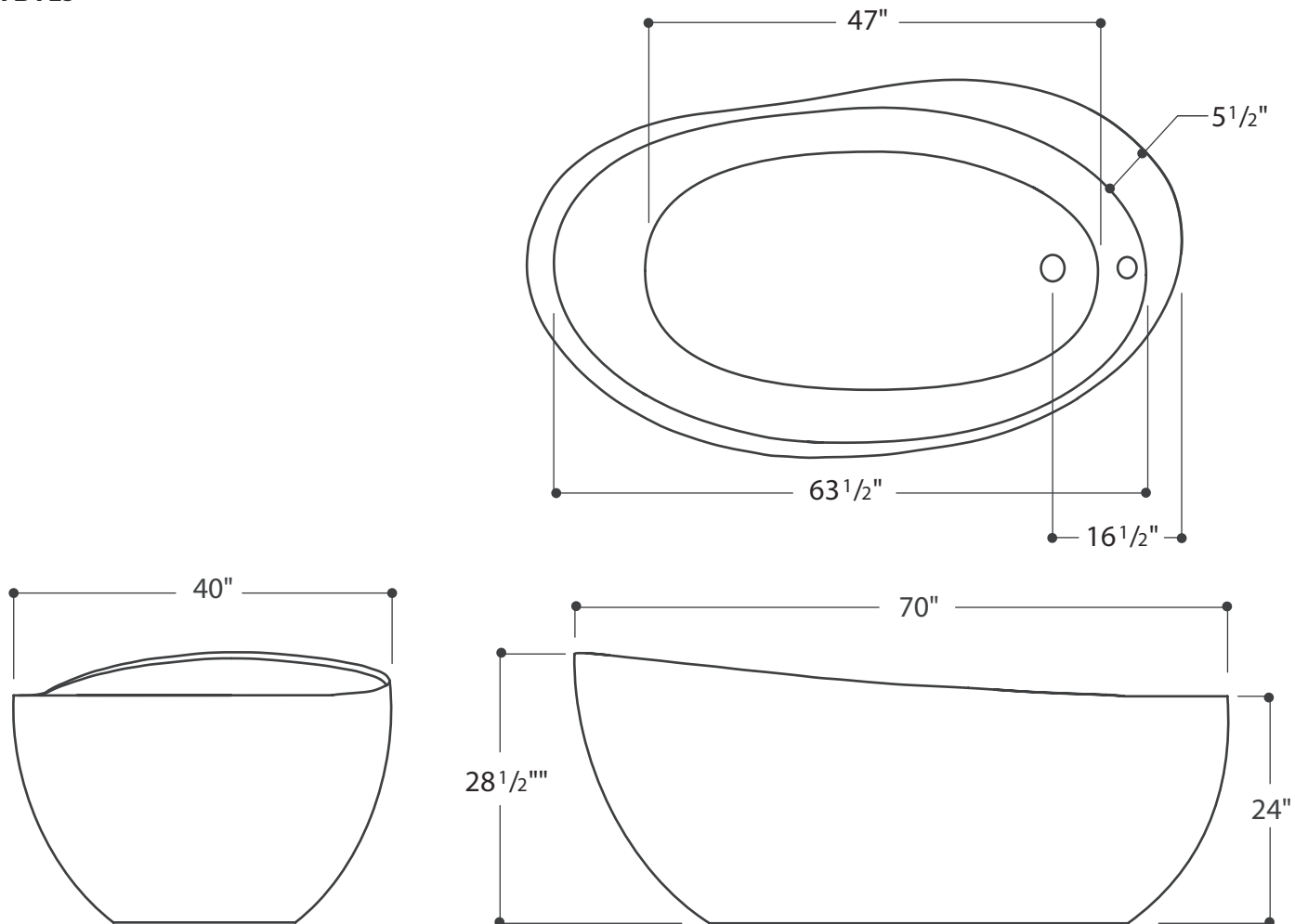


CHORD

FREE STANDING BATHTUB PTBT25



Note:

- Maximum capacity: 90 gallons
- Weight: 165 lbs
- Waste/Overflow: WWDR04
- Template: WWPBT25

All dimensions are based on original specifications and are subject to change and variation. Please consult your Design Associate for current specification.

Fixture dimensions are nominal and may vary within the range of tolerances established by ASME/ANSI standards.