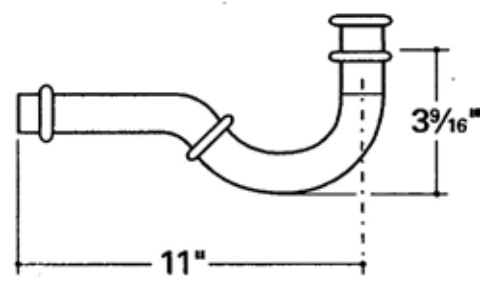
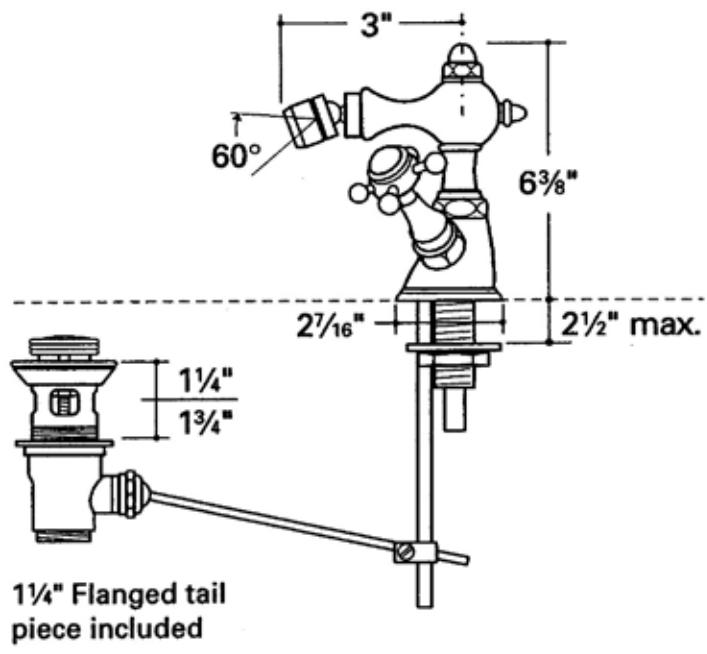


BIDET FITTING JUBF19

BIDET TRAP JUBF94



Note:
Accepts 1/4" tail piece

Note:
10mm O.D. supply tubes
10mm x 3/8" O.D. adapters provided

All dimensions are based on original specifications and are subject to change and variation. Please consult your Design Associate for current specification.