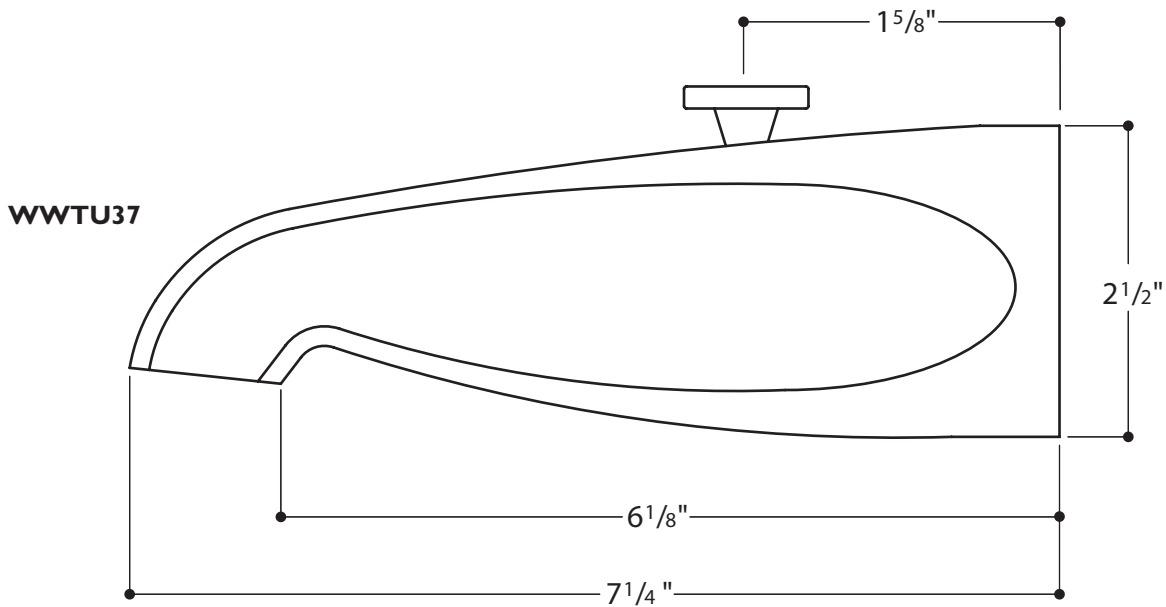
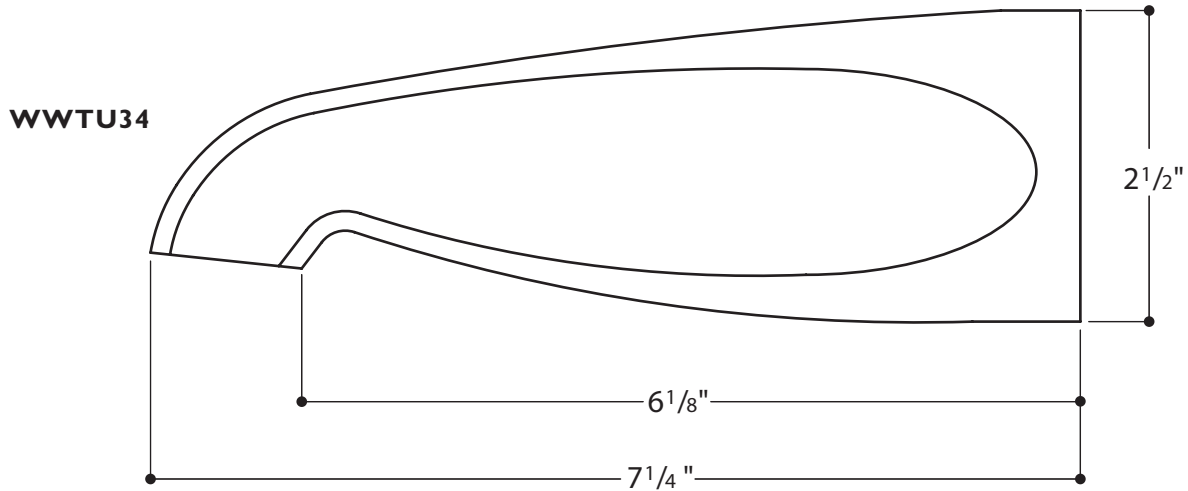


WALL MOUNTED TUB SPOUT

WWTU34

WWTU37 (with diverter)



Note:

- Rough In: $\frac{3}{4}$ " female NPT inlet
 $\frac{3}{4}$ " x $\frac{1}{2}$ " flush bushing
 included for optional
 female NPT rough-in.

All dimensions are based on original specifications and are subject to change and variation. Please consult your Design Associate for current specification.