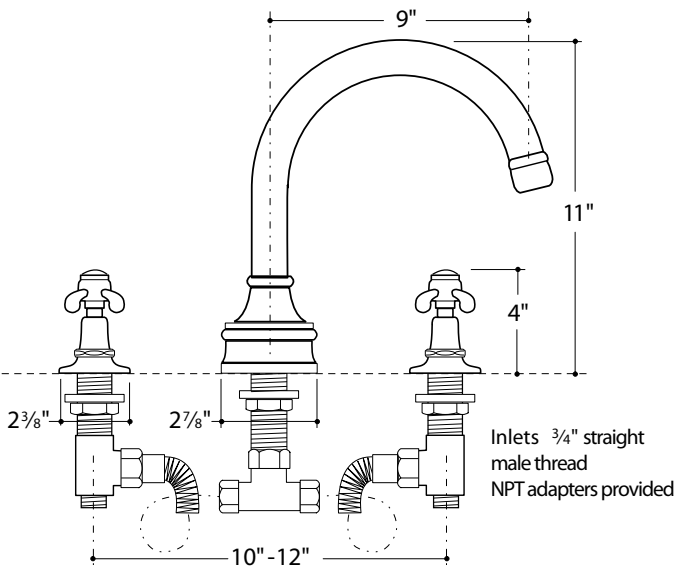


**HANDSHOWER AND DIVERTER
ETHS29**

**CONCEALED TUB FILLER
ETTU43**



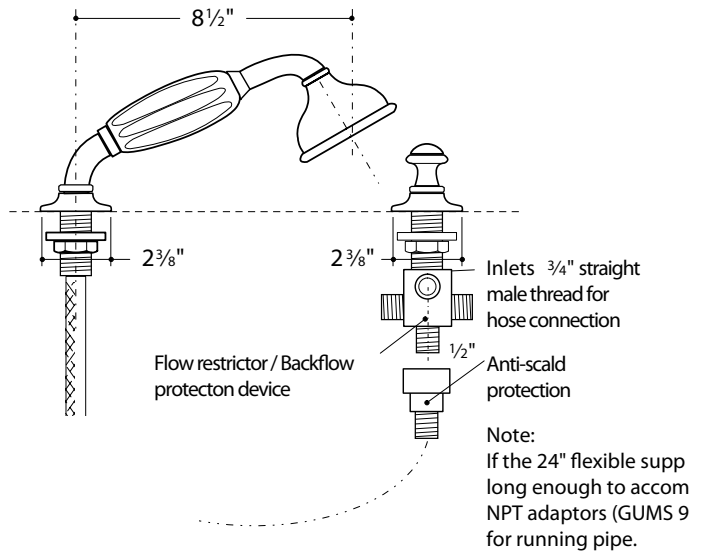
Note:
Drilling hole sizes:
Sidevalves: 1 1/2"
Spout, handshower,
and diverter: 1 1/4"

Additional 24" flexible
hose provided with
ETHS 29 for connection to
spout (must remove "T")

Must have access
panel for servicing

Note:
Drilling hole sizes:
Sidevalves: 1 1/2"
Spout, handshower,
and diverter: 1 1/4"

Must have access
panel for servicing



Note:
If the 24" flexible supp
long enough to accom
NPT adaptors (GUMS 9
for running pipe.

All dimensions are based on original specifications
and are subject to change and variation.
Please consult your Design Associate for current
specification.