

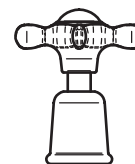
EXPOSED TUB FILLER ~ COVERED

EATU21 (cross handle)

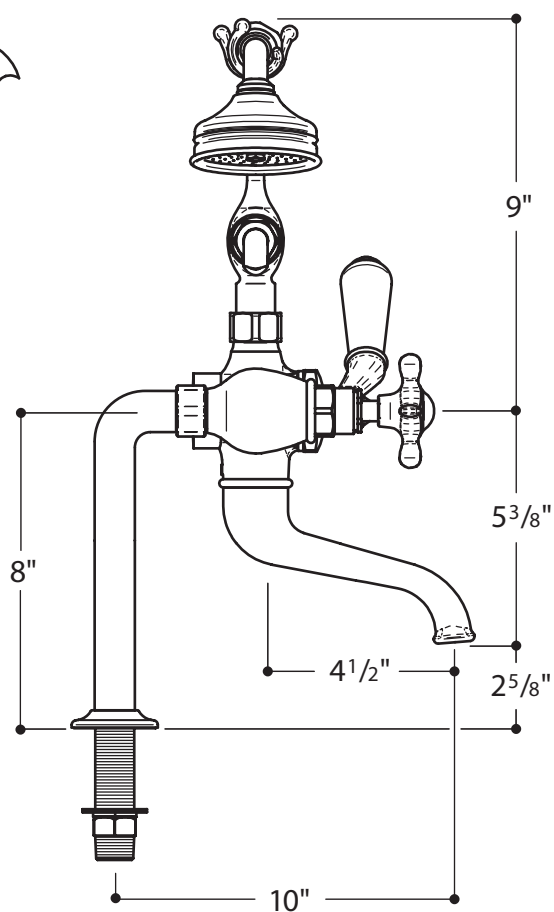
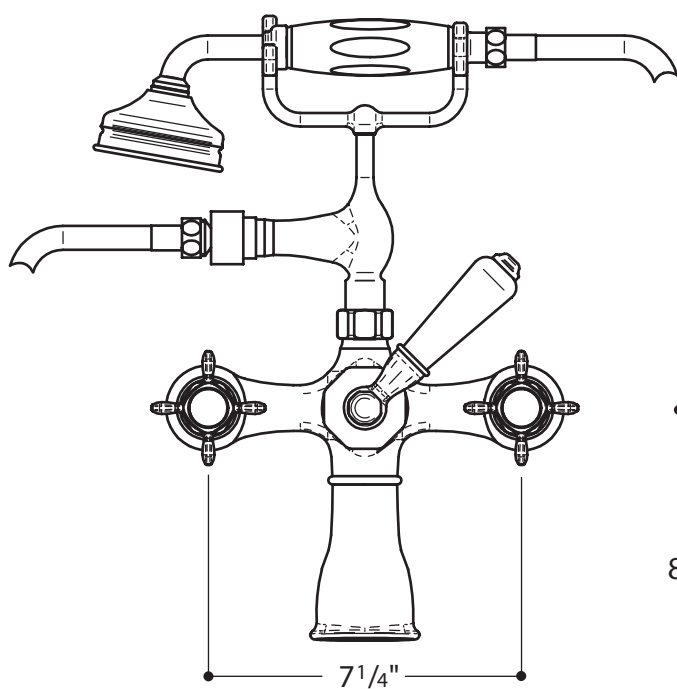
EATU16 DECK UNIONS ~ sold separately

EXPOSED TUB FILLER ~ UNCOVERED

EATU31 (cross handle)



EATU21-K



Notes:

- Inlet connection: 3/4" sweat or 3/4" male IPS
- Spread is NOT adjustable
- Check tub deck and tub measurements to assure the spout projects far enough into the tub
- Anti scald protection is the responsibility of the installer and according to applicable codes
- Replacement cartridge - part # WWPTU11
- Optional 2" projection extension - part # WWPTU20

All dimensions are based on original specifications and are subject to change and variation. Please consult your Design Associate for current specification.