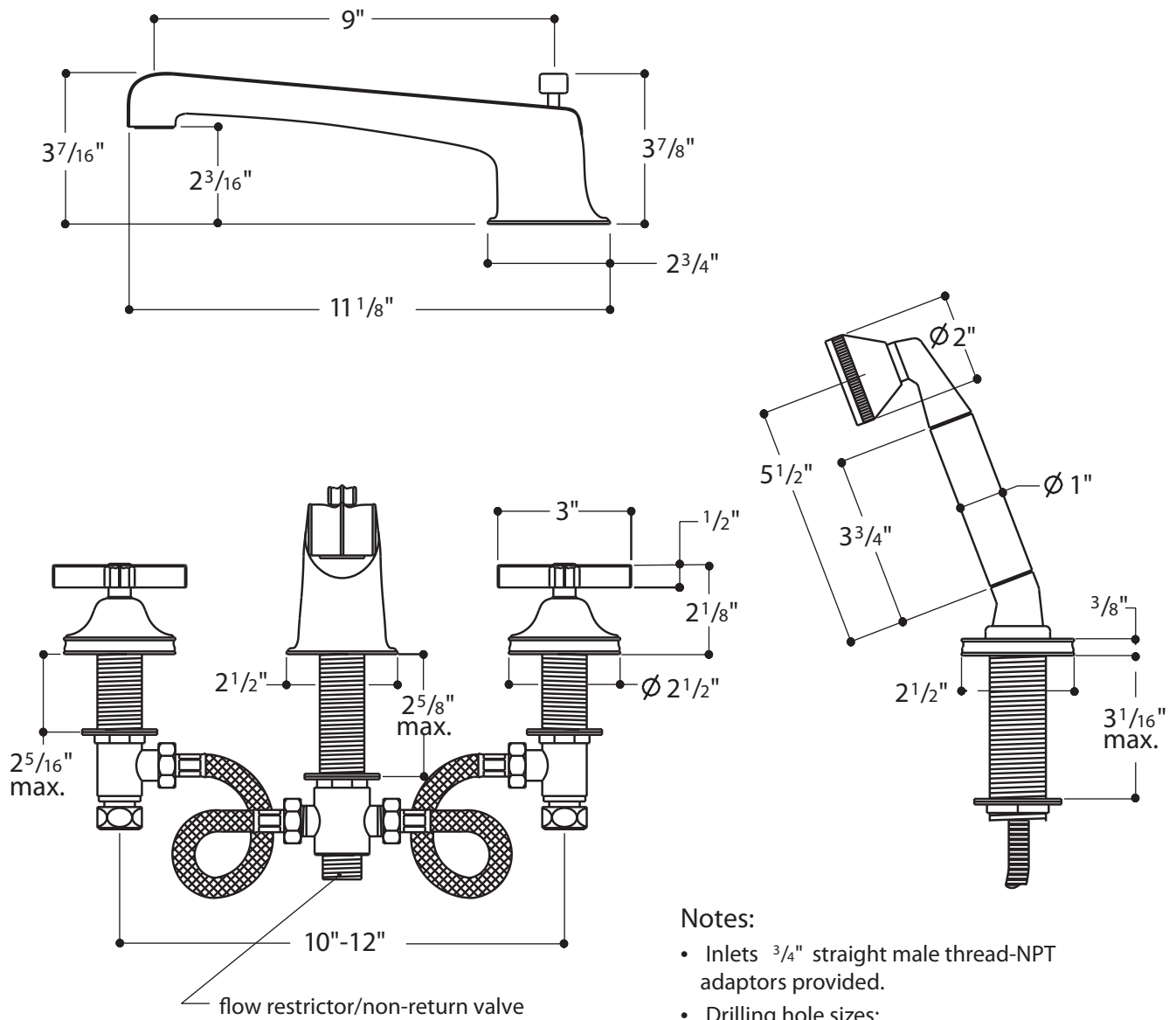


BOULEVARD

TUB FILLER (DECK MOUNTED) W/ CROSS HANDLES BDTU87



All dimensions are based on original specifications and are subject to change and variation. Please consult your Design Associate for current specification.

Notes:

- Inlets $\frac{3}{4}$ " straight male thread-NPT adaptors provided.
- Drilling hole sizes:
 - Side valves and handshower $1\frac{1}{2}$ "
 - Spout $1\frac{1}{4}$ "
- Must have access panel for servicing.
- Consult your local building codes for anti-scald requirements.