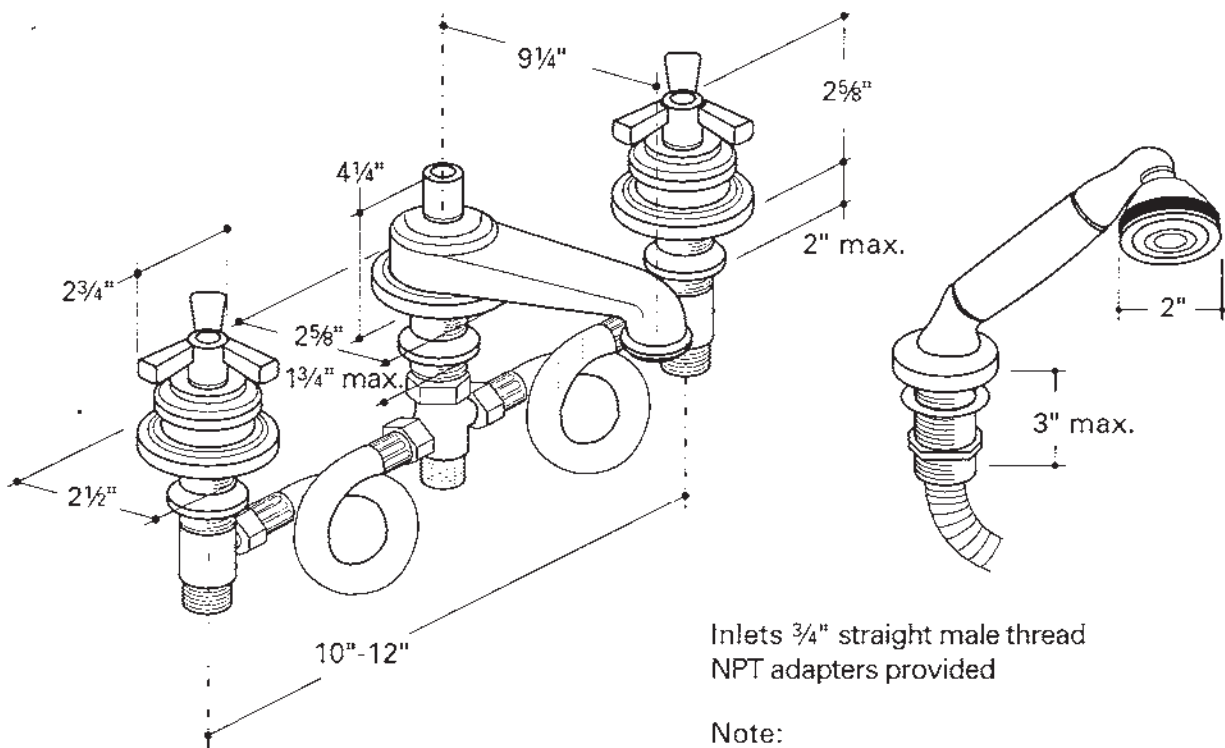


CONCEALED TUB FILLER WITH HANDSHOWER
AETU 88



Inlets $\frac{3}{4}$ " straight male thread
 NPT adapters provided

Note:
 Drilling hole sizes:
 Sidevalves and handshower: $1\frac{1}{2}$ "
 Spout: $1\frac{1}{4}$ "

Must have access panel
 for servicing

All dimensions are based on original specifications
 and are subject to change and variation.
 Please consult your Design Associate for current
 specification.