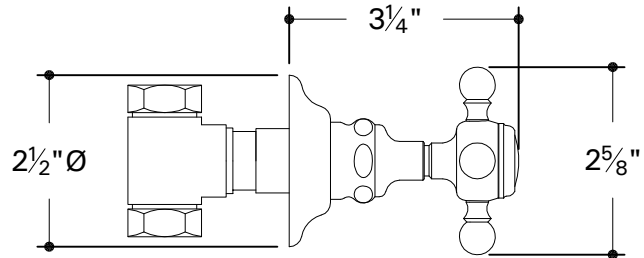
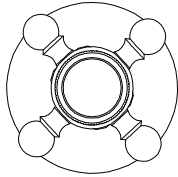


# JULIA

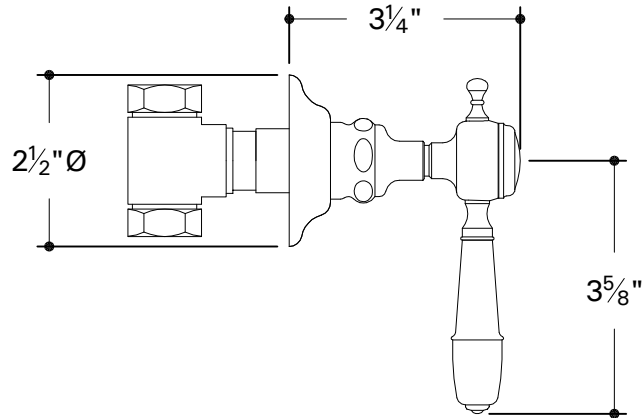
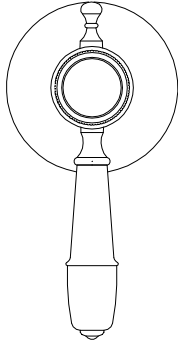
## WALL VALVE TRIM WITH CROSS HANDLES

**JUSV34** (trim) & **GUSV16R** (rough)



## WALL VALVE TRIM WITH METAL LEVER HANDLES

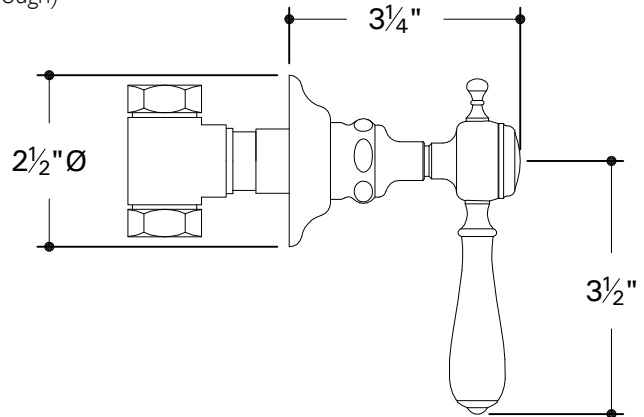
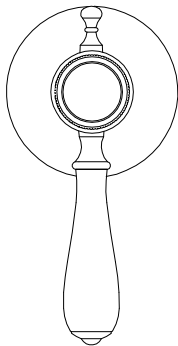
**JUSV50** (trim) & **GUSV16R/17R** (rough)



## WALL VALVE TRIM WITH PORCELAIN LEVER HANDLES

**JUSV51** (white porcelain) & **GUSV16R/17R** (rough)

**JUSV52** (black porcelain-MTO) & **GUSV16R/17R** (rough)



All dimensions are based on original specifications and are subject to change and variation. Please consult your Design Associate for current specification.

### Notes:

- Rough In Depth: 2 1/2" from center of inlets to surface of finished wall.
- Inlet/Outlet: 3/4" female NPT
- GUSV16R clockwise close, GUSV17R counter clockwise close.