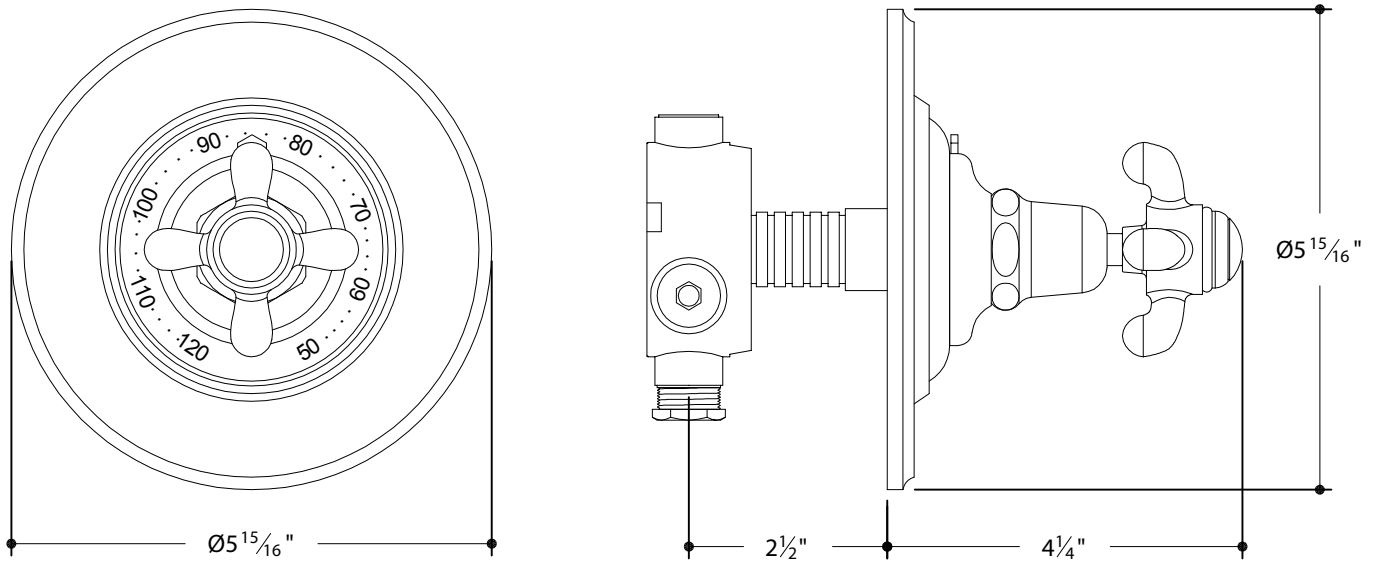


ETOILE

THERMOSTATIC SHOWER VALVE TRIM WITH CROSS HANDLES
ETSV26 (trim) & GUSV37R (rough)



All dimensions are based on original specifications and are subject to change and variation. Please consult your Design Associate for current specification.

Note:

- Rough-In depth: $2 \frac{1}{2}$ " from the centerline of the inlets to the surface of the finished wall. See Installation Guidelines for more information.
- Inlets: $\frac{3}{4}$ " female NPT
- Ideal operating pressure: 50-60 psi
- Maximum pressure: 80 psi
- Minimum pressure: 25 psi