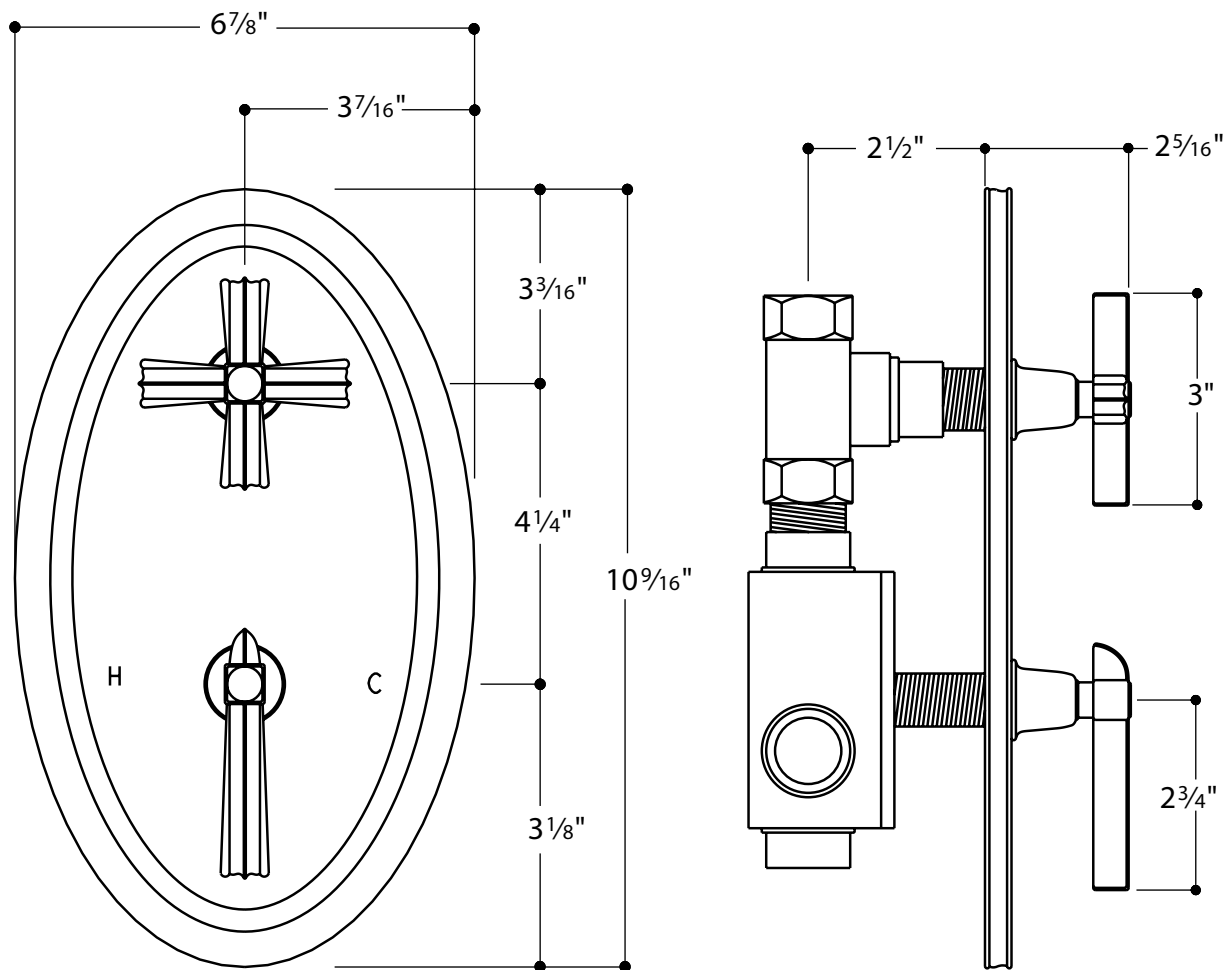


# BOULEVARD

## THERMOSTAT VALVE WITH ON/OFF CONTROL GUSV46R (ROUGH) & BDSV58 (TRIM)



• 3/4" Female NPT

### Notes:

- Ideal operating pressure is 40–50 PSI
- Maximum static pressure is 125 PSI
- Minimum static pressure is 25 PSI

All dimensions are based on original specifications and are subject to change and variation. Please consult your Design Associate for current specification.