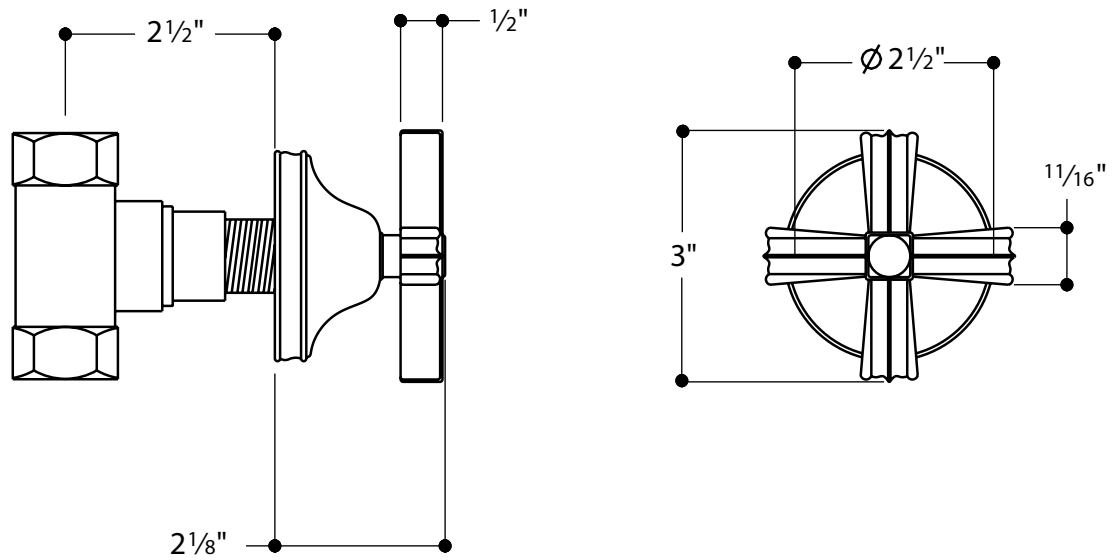


BOULEVARD

CROSS HANDLE WALL VALVE AND TRIM GUSV12R (ROUGH) & BDSV47 (TRIM)



Note:
• 3/4" NPT

All dimensions are based on original specifications and are subject to change and variation. Please consult your Design Associate for current specification.