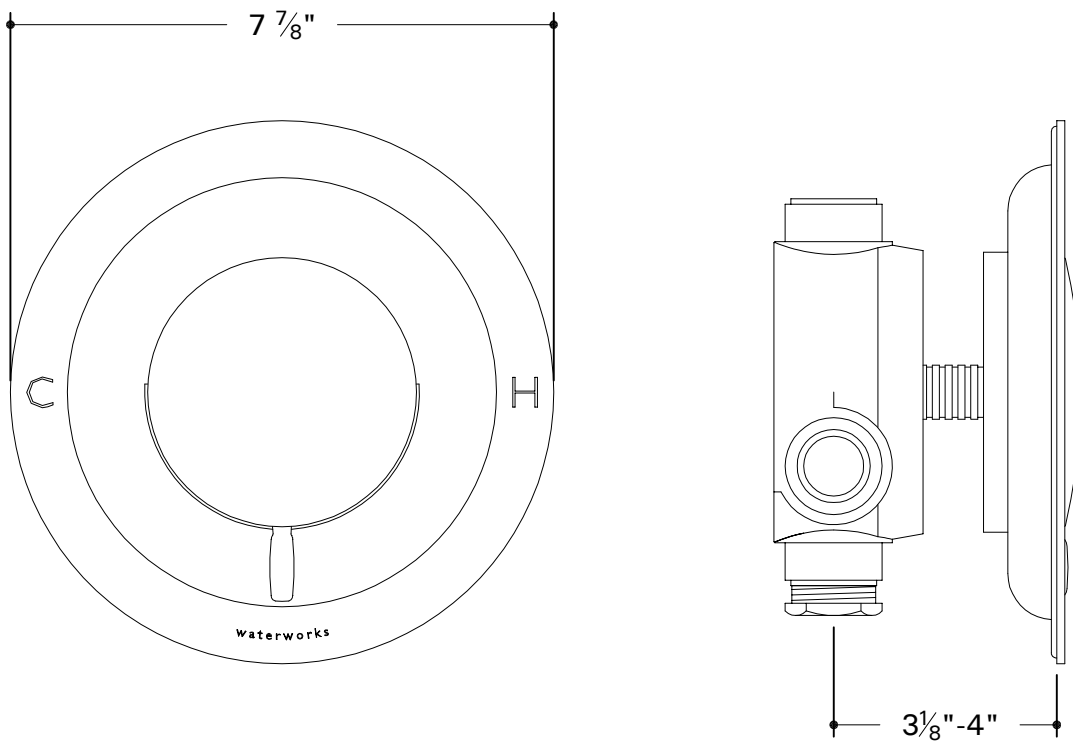

THERMOSTATIC SHOWER VALVE TRIM
PTSV58 (trim) & **GUSV78R** (rough)



All dimensions are based on original specifications and are subject to change and variation. Please consult your Design Associate for current specification.

Notes:

- Rough-In depth: $3\frac{1}{8}$ "-4" from the centerline of the inlets to the face of the finished wall, see Installation Guidelines for more information.
- Inlets: $\frac{3}{4}$ " female NPT
- Ideal operating pressure: 40-60 psi
- Maximum working pressure: 80 psi