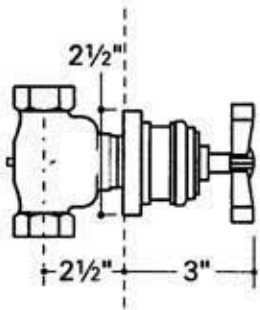


WALL VALVE AND TRIM

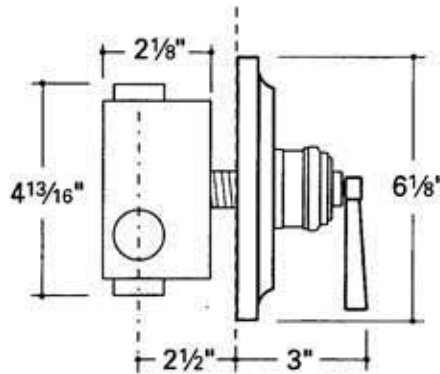
GUSVI6R (rough) + AESV47 (trim)



3/4" Female NPT

THERMOSTATIC SHOWER VALVE AND TRIM

GUSV37R (rough) + AESV58 (trim)



3/4" Female NPT

Note:

- Rough-In depth: 2 1/2" from the centerline of the inlets to the surface of the finished wall. See Installation Guidelines for more information.
- Inlets: 3/4 " female NPT
- Ideal operating pressure: 50-60 psi
- Maximum pressure: 80 psi
- Minimum pressure: 25 psi

All dimensions are based on original specifications and are subject to change and variation. Please consult your Design Associate for current specification.