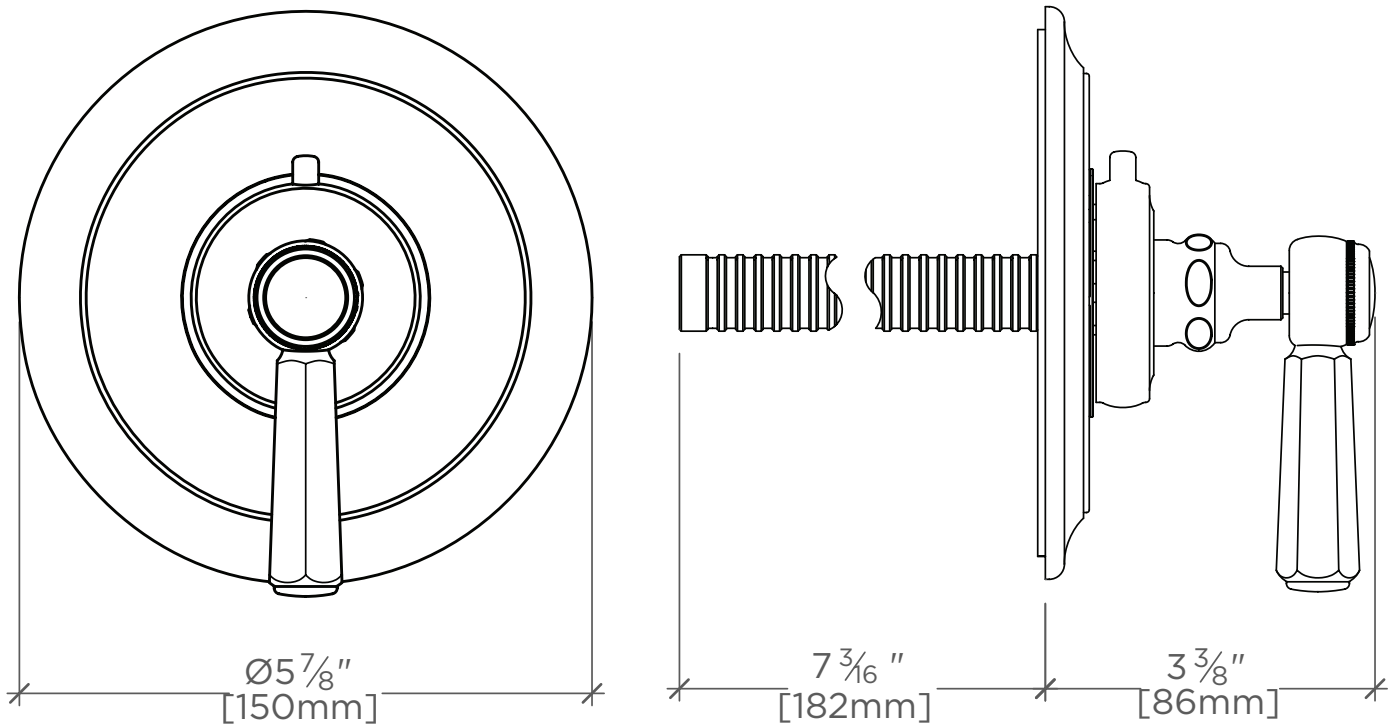


ASTORIA

THERMOSTATIC SHOWER VALVE TRIM WITH HEXAGONAL METAL LEVER HANDLE JUSV71 (trim) & GUSV37R (rough)



Notes:

- Inlet/outlet: $\frac{3}{4}"$ female NPT
- Ideal operating pressure is 40-50 psi
- Maximum working pressure is 80 psi
- Minimum working pressure is 25 psi

All dimensions are based on original specifications and are subject to change and variation. Please consult your Design Associate for current specification.