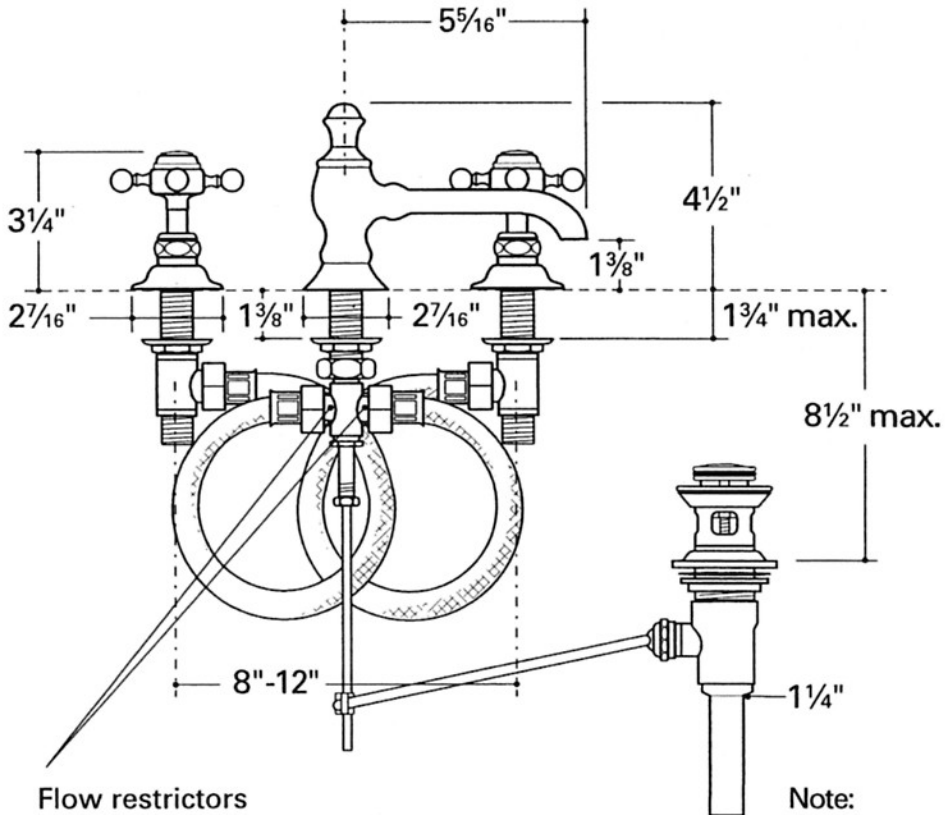


LAVATORY FAUCET JULS77



Note:
Drilling hole size: $1\frac{1}{4}$ "

$1\frac{1}{4}$ " flanged
tailpiece included

All dimensions are based on original specifications and are subject to change and variation. Please consult your Design Associate for current specification.