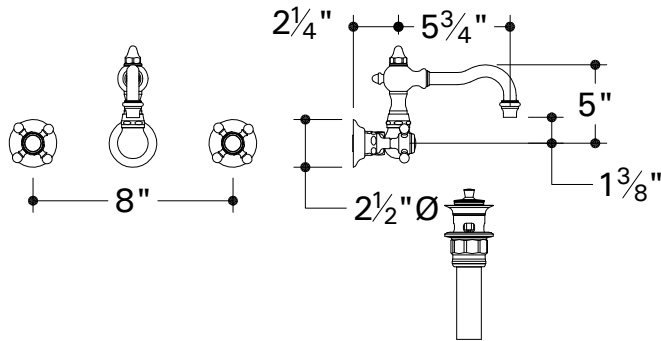
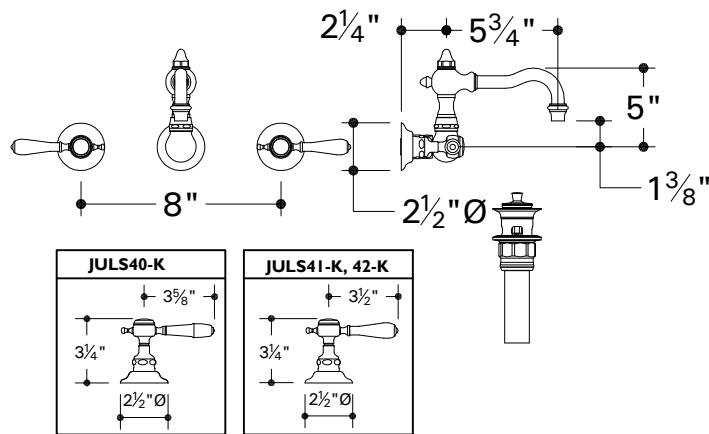


JULS39-K (cross handles) & **GUSV27R** (rough)



JULS40-K (metal lever handles) & **GUSV25R** (rough)
JULS41-K (white porcelain lever handles) & **GUSV25R** (rough)
JULS42-K (black porcelain lever handles -MTO) & **GUSV25R** (rough)



IMPORTANT

- To ensure this product is installed properly, you must read and follow these guidelines.
- The owner/user of the faucet must keep this information for future reference.
- This faucet must be on-site prior to rough in and allows the installer to visualize the installation and match the 8" center spread.
- Be sure your installation conforms to local codes.
- Refer to the specification and assembly drawings attached. Faucet is sold partially assembled but shown fully disassembled for illustrative and service purposes only.
- Check countertop and sink measurements to assure the spout projects far enough into the sink.
- Inspect this product to assure you have all parts required for proper installation.

- Use only a strap wrench or protected/smooth-jaw wrench on any finished surface.
- Do NOT use putty during this installation.

ROUGH IN:

Rough in Depth: 3" from center of inlets to surface of the finished wall.
 Rough in Height: 3 3/4" minimum from center of cartridge stem to surface of counter top to allow for lever handle clearance in the open position.

1. Run 1/2" hot and cold supply lines. The spread between supplies is 8" on center and is NOT adjustable.
2. Install a well supported 1/2" sweat x 1/2" female IPS adapter onto each supply line.
3. Verify the supplies are secure, level, at the proper spread of 8" and equal depths.
4. Remove the nuts (11) from the faucet body inlets then pull out the inlet adapters (11a, 11b).
5. Slide the nut over the inlet adapter and thread them into the supplies. Use a 10 mm hex wrench to tighten the adapters.
6. Align the faucet body onto the supplies making sure that the o-ring (11b) does not get pinched then tighten the nuts to secure the faucet.
7. Verify the supplies and faucet body are secure then turn on the supplies and check for leaks.
8. Install a 1/2" brass nipple (14- not supplied) and cap into spout tee (13).

HANDLE INSTALLATION:

9. Remove the index assembly (1-1d) as 1 unit from the handle by lifting the ring (1) off of the handle.
10. Thread the flat escutcheon (6) onto the trim sleeve (10) until the escutcheon contacts the wall.
11. Mark the male end of the trim sleeve (10) at a point that is 5/16" of an inch from the flat escutcheon (see Figure 1).
12. Remove the trim sleeve and cut it at the mark made in step 11.

These guidelines have been prepared for the professional contractor to aid in the installation of:
JULIA WALL MOUNTED LAVATORY FAUCET WITH CROSS HANDLES (JULS39-K & GUSV27R) & LEVER HANDLES (JULS40-K, 41-K, 42-K & GUSV25R)
 All dimensions are based on original specification and are subject to change and variation. Please consult your Design Associate for current specifications.

13. Reinstall the trim sleeve and escutcheon. Make a mark on the splined stem (9) at a point that is $\frac{3}{4}$ " from the flat escutcheon (see Figure 1).

14. Cut the splined stem on the mark made in step 13 then thread on the bell escutcheon (5).

15. Attach the handle using the screw provided and reinstall the index assembly (1-1d).

16. Repeat these steps for the other handle assembly.

SPOUT INSTALLATION:

17. Thread a $\frac{1}{2}$ " IPS brass nipple (14- not supplied) of appropriate length into the spout tee (13).

18. Wrap the nipple with Teflon tape and thread on the spout adapter (15b). Tighten the spout adapter using a 17mm hex wrench.

19. Slide the escutcheon (15, 15a) onto the adapter.

20. Attach the spout assembly by tightening the nut (15f) make sure the washer (15c) is in place.

DRAIN INSTALLATION

Note: This faucet does not use a lift rod to operate the drain stopper. Instead, it uses a simple lift-and-turn drain that is closed and opened by twisting the stopper.

21. Remove the upper collar (18) from the pop-up drain assembly and discard the upper gasket (19).

22. Set the upper collar in the lavatory drain opening using a clear adhesive silicone.

23. Re-attach the lower drain assembly using the gasket (20) and washer (21) provided then tighten until fully secured. A clear adhesive silicone may be used to ensure a water-tight seal between the gasket and lavatory.

24. Attach the tail piece using the gasket (22) provided. **DO NOT** over-tighten the tailpiece nut (24); hand tight is adequate.

INSPECT THE INSTALLATION

25. Remove the flow restrictor assembly (17c-17f) from the spout. Carefully open the hot and cold valves to flush out any debris in the supply lines.

26. Inspect all connections for leaks. Reinstall the flow restrictor assembly.

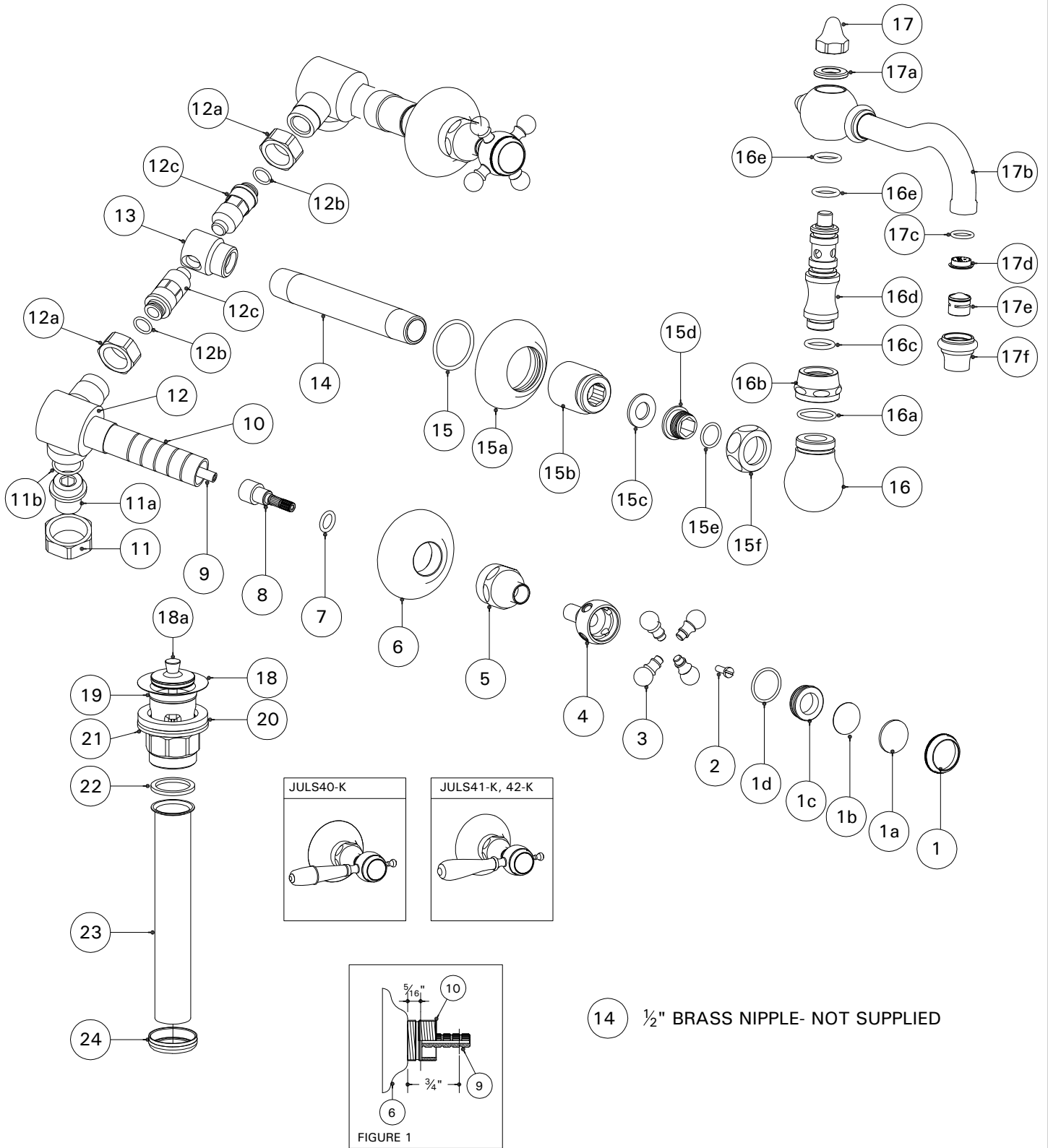
27. Twist drain stopper (18a) to close the drain then fill the sink with water to make sure the stopper operates and the stopper seal works properly.

28. Lift and turn the stopper to let the water out of the sink.

If further assistance is required, please contact Product Support at 1-800-927-2120 (8am-7pm EST)

These guidelines have been prepared for the professional contractor to aid in the installation of:
JULIA WALL MOUNTED LAVATORY FAUCET WITH CROSS HANDLES (JULS39-K & GUSV27R) & LEVER HANDLES (JULS40-K, 41-K, 42-K & GUSV25R)
 All dimensions are based on original specification and are subject to change and variation. Please consult your Design Associate for current specifications.

W A T E R W O R K S



These guidelines have been prepared for the professional contractor to aid in the installation of:
JULIA WALL MOUNTED LAVATORY FAUCET WITH CROSS HANDLES (JULS39-K & GUSV27R) & LEVER HANDLES (JULS40-K, 41-K, 42-K & GUSV25R)
 All dimensions are based on original specification and are subject to change and variation. Please consult your Design Associate for current specifications.

W A T E R W O R K S

PARTS TABLE		
ITEM NO.	DESCRIPTION	QTY.
1	INDICE TRIM RING	2
1a	INDICE, HOT, COLD	2
1b	PAD	2
1c	INDICE RETAINER	2
1d	O-RING	2
2	SCREW HANDLE	2
3	HANDLE SPOKE	8
4	HANDLE HUB	2
5	ESCUTCHEON, BELL	2
6	ESCUTCHEON, FLAT	2
7	O-RING	1
8	SPLINE ADAPTER	1
9	CARTRIDGE STEM	1
10	TRIM SLEEVE	1
11	INLET NUT	1
11a	INLET ADAPTER	1
11b	O-RING	1
12	INLET BODY	1
12a	NUT	1
12b	O-RING	1
12c	INLET NIPPLE	1
13	SPOUT TEE	1
14	½" BRASS NIPPLE-NOT SUPPLIED	1
15	O-RING	1
15a	ESCUTCHEON, FLAT-SPOUT	1
15b	SPOUT ADAPTER	1
15c	RUBBER WASHER	1
15d	SPOUT COLLAR	1
15e	O-RING	1
15f	NUT	1
16	SPOUT BASE	1
16a	O-RING	1
16b	SPOUT BASE NUT	1
16c	O-RING	1
16d	SPOUT POST	1
16e	SPOUT O-RING	2
17	TOP CAP	1
17a	WASHER, FINISHED	1
17b	SPOUT	1
17c	O-RING	1
17d	FLOW RESTRICTOR, 2.2 GPM	1
17e	AERATOR	1
17f	AERATOR HOUSING	1
18	UPPER COLLAR/FLANGE	1
18a	STOPPER	1
19	UPPER GASKET	1
20	GASKET	1
21	WASHER	1
22	GASKET, TAIL PIECE	1
23	TAIL PIECE	1
24	TAIL PIECE NUT	1

These guidelines have been prepared for the professional contractor to aid in the installation of:
JULIA WALL MOUNTED LAVATORY FAUCET WITH CROSS HANDLES (JULS39-K & GUSV27R) & LEVER HANDLES (JULS40-K, 41-K, 42-K & GUSV25R)
 All dimensions are based on original specification and are subject to change and variation. Please consult your Design Associate for current specifications.

W A T E R W O R K S

Care and Cleaning

The lustrous finish on your fitting or fixture should be treated with care. To clean the finish, wipe gently with a soft damp cloth and then with a soft dry towel. A mild soap solution can be used for daily cleaning. The use of non-recommended polishes, abrasive cleaners, solvents, ammonia-based products, or acid-based cleaners may damage the finish. Please know that improper handling or cleaning may damage the surface of the finish and consequently void the warranty.

Water contains lime and other minerals that are deposited after the water has evaporated. You can prevent deposits from forming by always wiping the fitting or fixture dry after use.

Please note the following points are specific to certain finishes or products only. Always read and follow the instructions when using any cleaning or polishing products.

BATHTUBS; CHINA, CERAMIC AND PORCELAIN

In addition to mild soap and water, a non-abrasive basin tub and tile cleaner is recommended for regular cleaning and disinfecting. Do not use abrasive cleaners or cleansers, as this will dull the surface finish. The use of any other cleaners or disinfectants may alter the surface finish.

CLOTHILDE TUB

Tin Coated Interior - Tin is a soft metal and should only be regularly cleaned with mild soap and water. The use of any other cleaners or disinfectants will alter the surface finish, removing the tin.

Copper Exterior - In addition to mild soap and water, a natural citrus-based product may be used for regular cleaning. The use of any other cleaners or disinfectants may alter the surface finish. Cape Cod® Polishing Cloths may be used for occasional polishing. If you desire additional protection, the use of Faucet Brite® will aid in cleaning and protecting the surface finish from mineral deposits present in your water supply. Faucet Brite® should be reapplied as necessary for continued protection.

WHIRLPOOL AND AIR TUB SYSTEMS

Jet Fresh® whirlpool cleaning solution is recommended for maintaining the waterways.

ANTIQUE COPPER, ANTIQUE BRASS, SHINY COPPER

Select Waterworks fittings and basins are offered in finishes that have been artificially weathered, creating a patina that will develop and change with time. In addition to mild soap and water, a natural citrus-based product may be used for regular cleaning. The use of any other cleaners or disinfectants may alter the surface finish. Please note that prolonged contact with certain items such as toothpaste, acidic fruits and vegetables, and wines will alter the surface finish. The use of polishing agents will remove the patina and restore the metal to its original shine. Once removed, the patina will naturally redevelop with time.

ARCHITECTURAL BRONZE

In addition to mild soap and water, a natural citrus-based product may be used for regular cleaning. The use of any other cleaners or disinfectants may alter the surface finish. Please note that prolonged contact with certain items such as toothpaste, acidic fruits and vegetables, and wines will alter the surface finish. The use of polishing agents will remove the finish.

NICKEL, MATTE NICKEL, CHROME, MATTE CHROME, MATTE GOLD, LUMIN, GOLD, CONCORDIA, SOVEREIGN

In addition to mild soap and water, a natural citrus-based product may be used for regular cleaning. The use of any other cleaners or disinfectants may alter the surface finish. Cape Cod® Polishing Cloths may be used for occasional polishing. If you desire additional protection, the use of Faucet Brite® will aid in cleaning and protecting the surface finish from mineral deposits present in your water supply. Faucet Brite® should be reapplied as necessary for continued protection.

SILVER, MATTE SILVER

Fittings offered in a silver finish will tarnish with age. This finish may be restored to its original luster by using Faucet Brite® or a non-abrasive silver polish. Faucet Brite® should be reapplied as necessary for continued protection and will help to prolong the time between regular polishing.

UNLACQUERED BRASS AND COPPER

Items purchased in unlacquered brass and copper finishes will change with time as they develop a natural patina. The original shine can be restored using Faucet Brite® or an appropriate polishing compound. If you desire additional protection, the use of Faucet Brite® will aid in cleaning and protecting the surface finish from mineral deposits present in your water supply. Faucet Brite® should be reapplied as necessary for continued protection.

CORIAN®

Soapy water, ammonia based cleaners or commercially available solid surface cleaners will remove most dirt and residue from Corian® surfaces. Stubborn residue will require a slightly stronger cleaner. Follow the recommendations at www.corian.com to properly clean your vanity top or sink.

WOOD SURFACES

All wood furniture surfaces should be maintained with a soft, damp cloth. Paste wax can be applied to the furniture every six months. Commercial or residential use citrus-based sprays are not recommended for cleaning the furniture.

W A T E R W O R K S

Warranty

RESIDENTIAL LIFETIME MECHANICAL WARRANTY

Waterworks warrants to the initial purchaser or initial homeowner all plumbing* and accessory** products sold by Waterworks, which are installed in a residence to be used in a residential application, to be free from manufacturing defects in materials and workmanship for as long as the purchaser continues to own and maintain the residence where the products are initially installed. Proof of purchase (original sales receipt) from the original consumer purchaser must accompany all warranty claims.

5 YEAR FINISH WARRANTY

Waterworks warrants to the initial purchaser or initial homeowner the finish of all plumbing* and accessory** products sold by Waterworks, which are installed in a residence to be used in a residential application, to be free from manufacturing defects in materials and workmanship for a period of five years from installation of the products. Products must be maintained and cleaned in accordance with the instructions provided to purchaser by Waterworks. Waterworks must receive notice of any warranty claim within the five-year warranty period. Proof of purchase (original sales receipt) from the original consumer purchaser must accompany all warranty claims.

5 YEAR WOOD FURNITURE WARRANTY

Waterworks warrants to the initial purchaser or initial homeowner the finish of all wood furniture products sold by Waterworks, which are installed in a residence to be used in a residential application, to be free from manufacturing defects in materials and workmanship for a period of five years from installation of the products. Wood furniture will have natural variation in grain structure, color shade, and inherent characteristics such as streaks which are not considered defects. Waterworks must receive notice of any warranty claim within the five year warranty period. Proof of purchase (original sales receipt) from the original consumer purchaser must accompany all warranty claims.

1 YEAR ELECTRICAL TUB COMPONENTS, WATER CLOSET, VITREOUS CHINA AND CAST IRON WARRANTY

Waterworks warrants to the initial purchaser or initial homeowner electrical tub components, vitreous china, cast iron tubs and water closet internal components sold by Waterworks, which are installed in a residence to be used in a residential application, to be free from manufacturing defects in materials and workmanship for a period of 1 year from installation of the products. Gloss reduction, scratching, staining, alkaline etching of the finish over time due to use, cleaning practices or water or atmospheric conditions are not manufacturing defects but are considered normal wear and tear. Waterworks must receive notice of any warranty claim within the one-year warranty period. Proof of purchase (original sales receipt) from the original consumer purchaser must accompany all warranty claims.

REPAIR OR REPLACEMENT

If within the applicable warranty period the covered products shall be proved to the satisfaction of Waterworks to be defective, Waterworks will repair or replace such products, at its expense (provided that such repair or replacement shall not include installation costs). Waterworks' obligation shall be limited to such repair and replacement and shall be conditioned upon Waterworks' receiving notice of any alleged defect within the applicable warranty period. (Purchaser shall be responsible for all shipping charges for returned products.)

LIMITATIONS ON WARRANTY COVERAGE

The warranties set forth above shall be extended only to the initial purchaser or initial homeowner and do not apply to any purchaser where the products are used for commercial applications and usage. Furthermore, the warranties do not cover installation or any other labor charges and do not apply to:

- I. Products subject to normal wear and tear;
- II. Products which have been repaired, altered or modified in any way by purchaser or any person other than Waterworks or not using original Waterworks service parts, unless previously authorized in writing by Waterworks;
- III. Products which have not been installed, used, maintained or stored in accordance with the instructions provided to purchaser by Waterworks;
- IV. Products which have been used for purposes other than or in a manner contrary to their intended and normal use; products that have been used outdoors;
- V. Products which have been damaged as a result of misuse, negligence, freezing, accident or faulty installation or maintenance;
- VI. Products damaged by the effects of dirt, salt water air, hard water, lime scale, or abrasive or aggressive cleaners. If the normal life span of any product is shorter than the applicable warranty period, the warranty shall apply only during the period of such shorter life span;
- VII. Products damaged from exposure to extremes of high or low humidity and/or to rapid temperature change as well as variations in appearance which result from the normal expansion and contraction of wood as it responds to climatic changes in the home;
- VIII. Products installed that are not in compliance with local code requirements. Since local code requirements vary greatly, installation contractors and users of plumbing or fixture products should determine whether there are any code restrictions on the installation or use of a specified product;
- IX. Products sold "as is" and from store displays.

NATURE OF WARRANTY CLAIMS

For all warranty claims please call Waterworks Product Support at 800 927 2120, or write to Waterworks Product Support at 60 Backus Avenue, Danbury, CT 06810.

The warranties provided herein are conveyed only to the purchaser of products sold by Waterworks after January 1, 2006 and installed in a residential application. Except as specifically set forth above, Waterworks does not make any other warranty, express or implied, including without limitation, any implied warranty of merchantability or fitness for a particular purpose. In no event shall Waterworks be liable to any person or entity for any indirect, special, incidental or consequential damages or loss (including damages for loss of business, loss of profits, or the like), whether based on breach of contract, tort (including negligence), product liability or otherwise, even if it has been advised of the possibility of such damages. Waterworks' liability on any claim of any kind, including negligence, shall in no case exceed the contract price paid by the purchaser for the product claimed to be defective or unsuitable.

Waterworks is a registered trademark of Waterworks, Inc.

While Waterworks uses reasonable efforts to include accurate and up-to-date information and photographs in the catalog and on the website, Waterworks makes no warranties or representations as to the accuracy of this information and these photographs. Waterworks assumes no liability or responsibility for any errors or omissions in the content or photographs in the catalog or on the website.

* Examples of plumbing products: fittings including lavatory sets, shower valves, tub fillers, shower heads, hand showers, bidet fittings, kitchen mixers, tubs (excluding electrical components).

**Examples of accessory products: fixtures including washstands, mirrors, towel bars, shelves, robe hooks, paper holders, hardware/knobs, and furnishings.

W A T E R W O R K S