

J U L I A

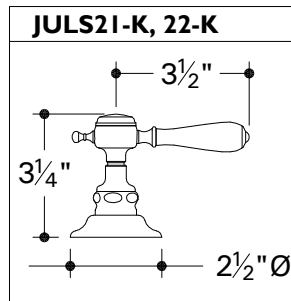
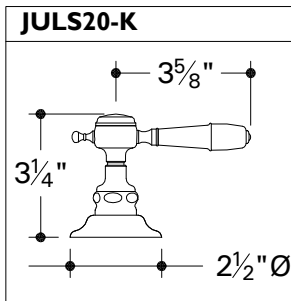
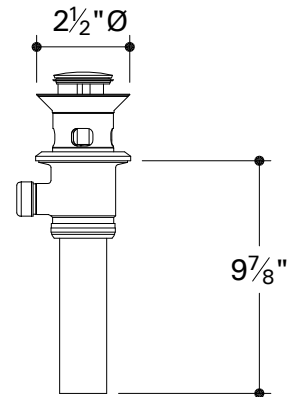
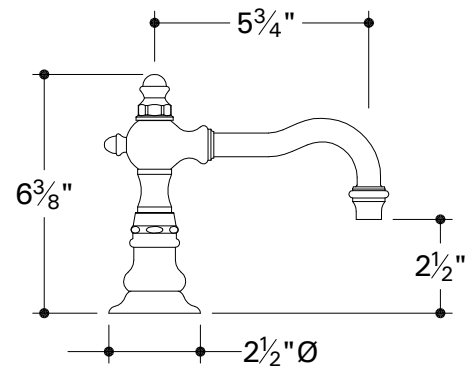
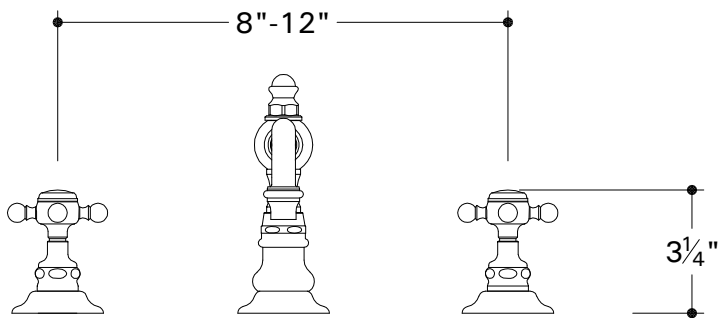
LAVATORY FAUCET

JULS18 (cross handles)

JULS20-K (metal lever handles)

JULS21-K (white porcelain lever handles)

JULS22-K (black porcelain lever handles-MTO)



Notes:

- Drill Hole Diameter: 1³/₈"
- Max Deck Thickness: 1⁷/₈"
- 1¹/₄" tailpiece included

All dimensions are based on original specifications and are subject to change and variation. Please consult your Design Associate for current specification.