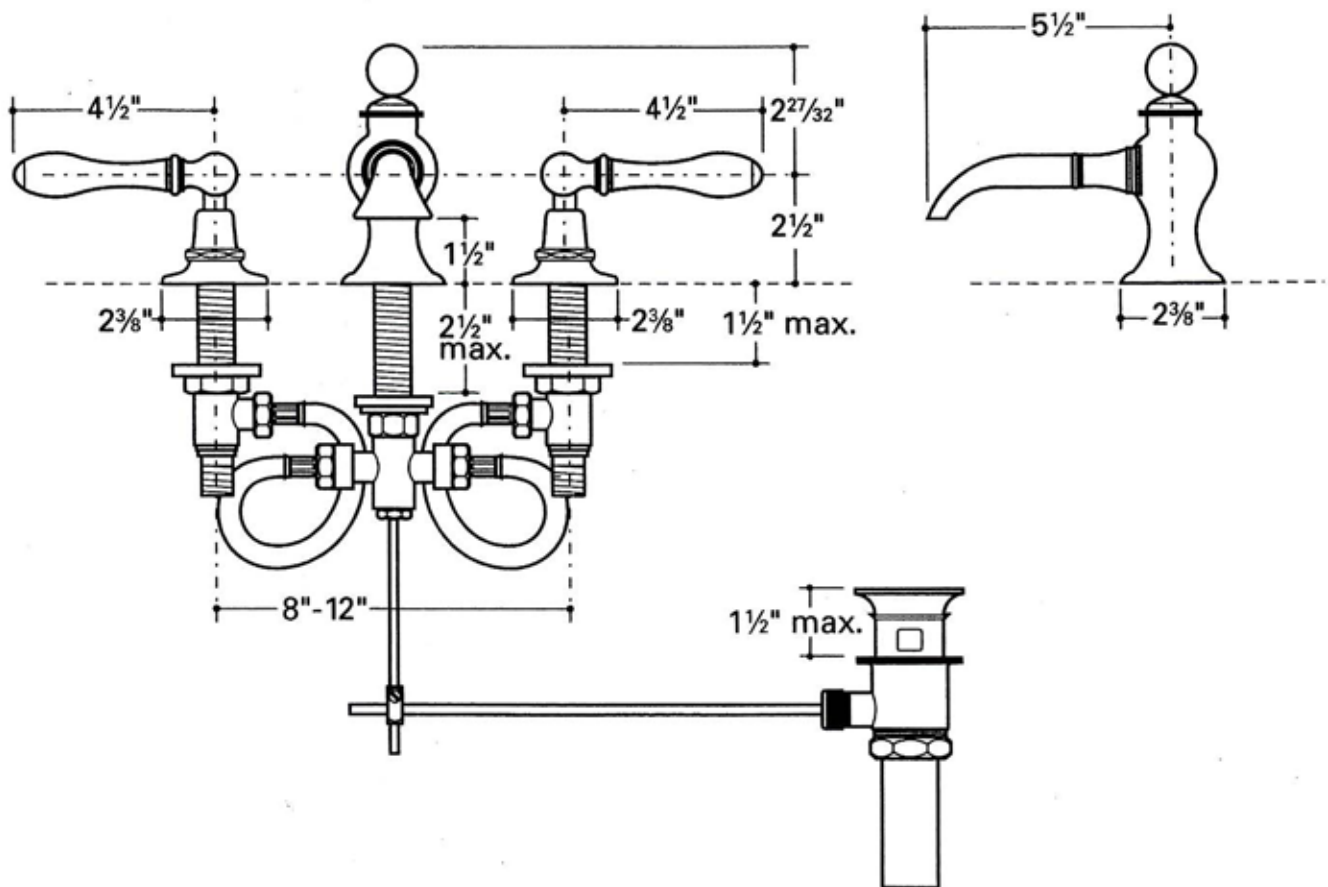


ETOILE

LAVATORY FAUCET WITH EBONY LEVER HANDLES ETLS 50



Note:
Drilling hole size: $1\frac{1}{4}"$

All dimensions are based on original specifications
and are subject to change and variation.
Please consult your Design Associate for current
specification.