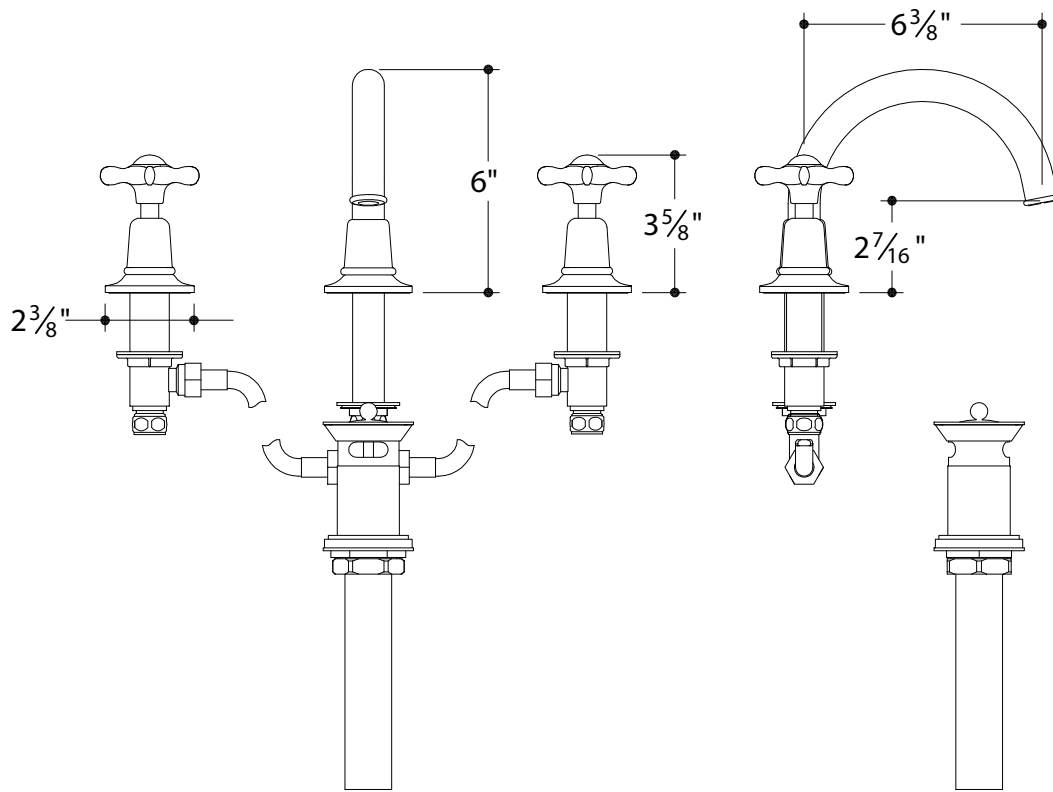

CLASSIC GOOSENECK LAVATORY FAUCET
EALS31 (Cross Handles)



Notes:

- Drill Hole Size: Spout- $\frac{7}{8}$ "
Side Valves- $1\frac{1}{4}$ "
- Lift and turn drain with $\frac{1}{4}$ " tail piece included.

All dimensions are based on original specifications and are subject to change and variation. Please consult your Design Associate for current specification.