

LAV SET ~ UNCOVERED

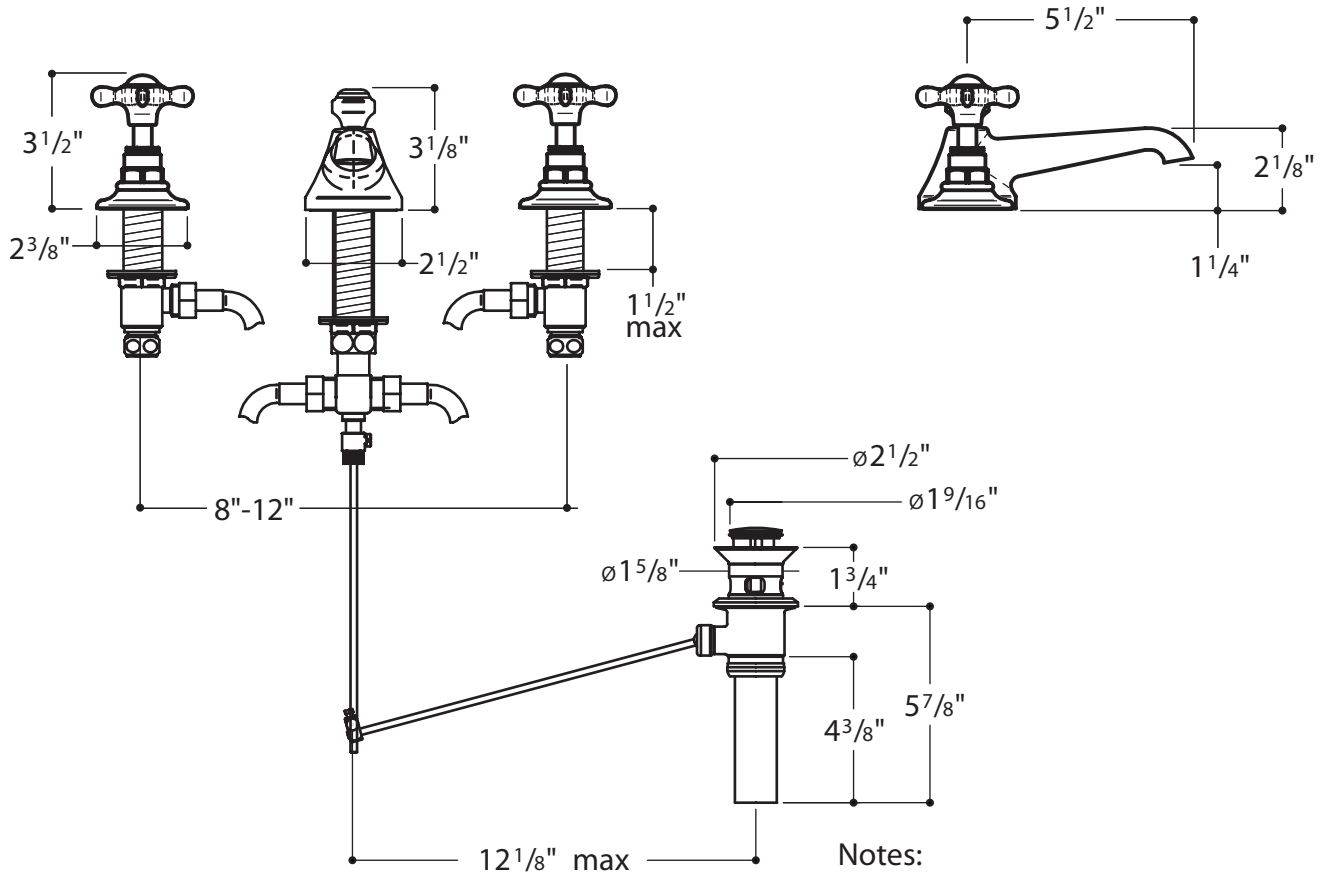
EALS11 (cross handle)

EALS12-K (metal lever handle)

EALS13-K (white porcelain lever handle)

EALS14-K (black porcelain lever handle)

EALS15-K (oak lever handle)



Notes:

- Drilling hole size: 1 1/4"
- 1/4" flanged tail piece included

EALS12-K	EALS13-K,14-K,15-K

All dimensions are based on original specifications and are subject to change and variation. Please consult your Design Associate for current specification.