

LAV SET ~ COVERED

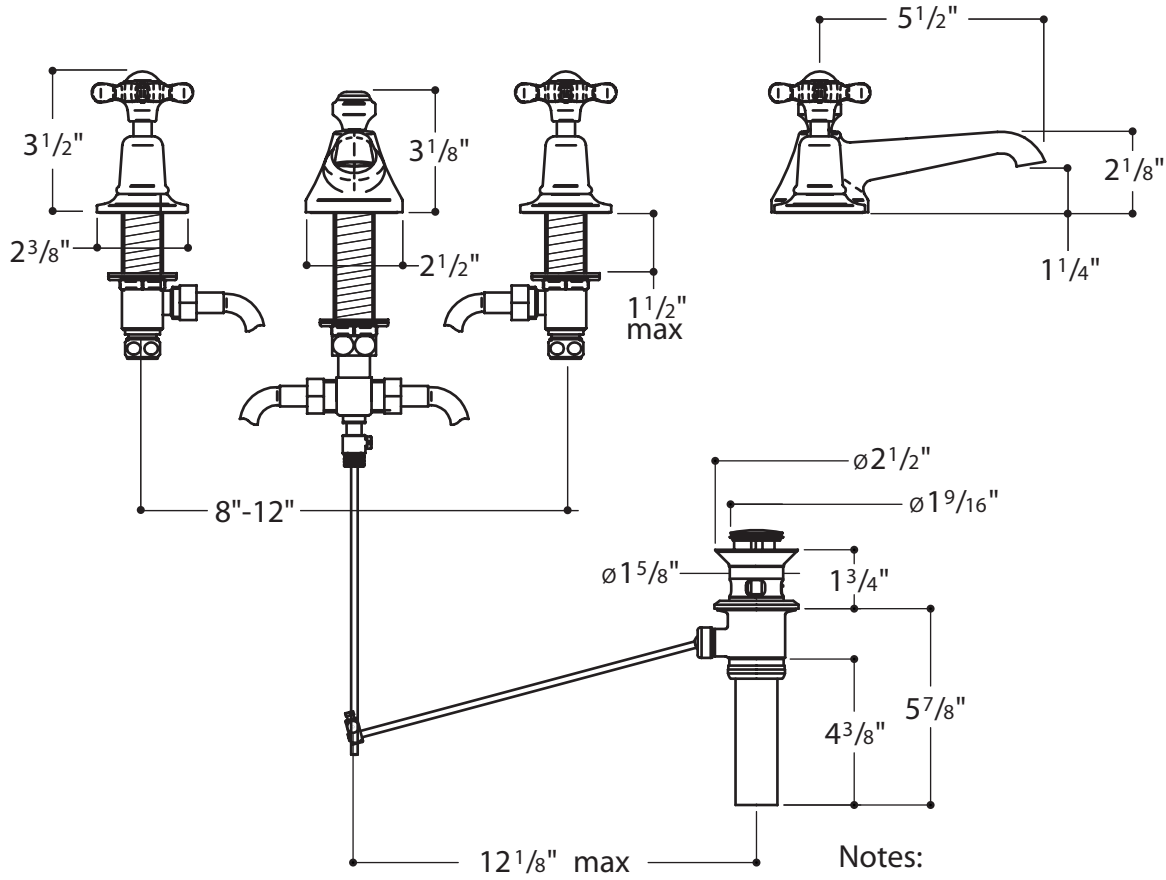
**EALS01** (cross handle)

**EALS02-K** (metal lever handle)

**EALS03-K** (white porcelain lever handle)

**EALS04-K** (black porcelain lever handle)

**EALS05-K** (oak lever handle)



Notes:

- Drilling hole size: 1 1/4"
- 1/4" flanged tail piece included

EALS02-K	EALS03-K,04-K,05-K

All dimensions are based on original specifications and are subject to change and variation. Please consult your Design Associate for current specification.