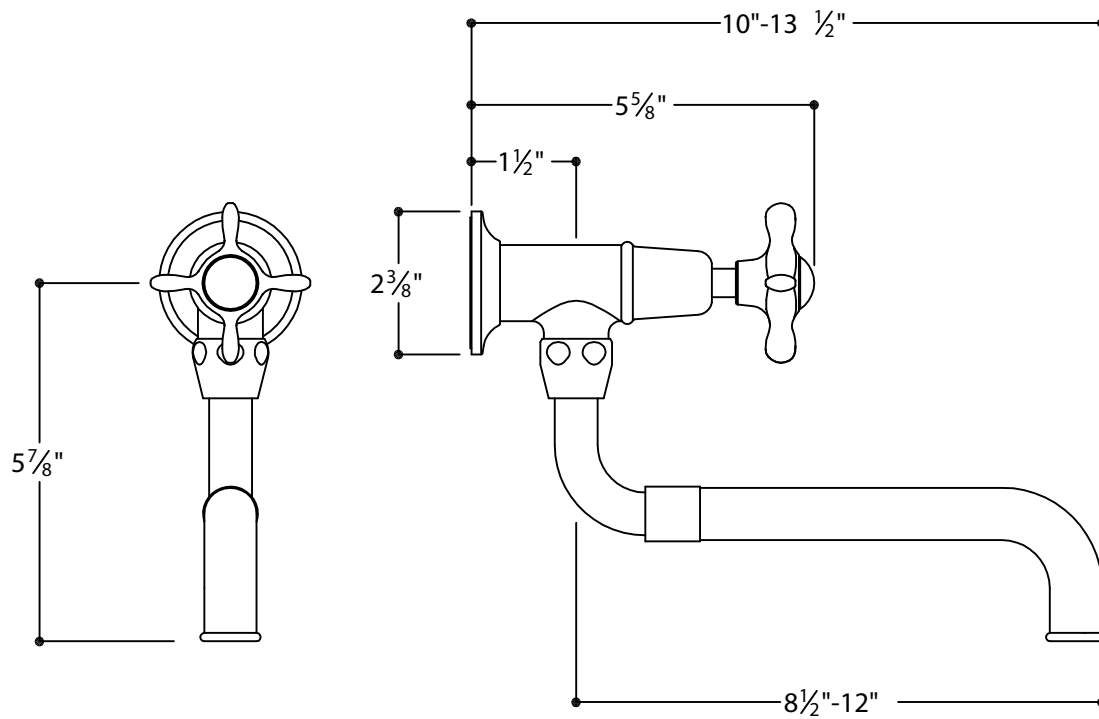


# E A S T O N

POT FILLER with CROSS HANDLE  
EAKM21



Notes:

- Inlet:  $\frac{1}{2}$ " female NPT. See Installation Guideline for additional information.

All dimensions are based on original specifications and are subject to change and variation. Please consult your Design Associate for current specification.