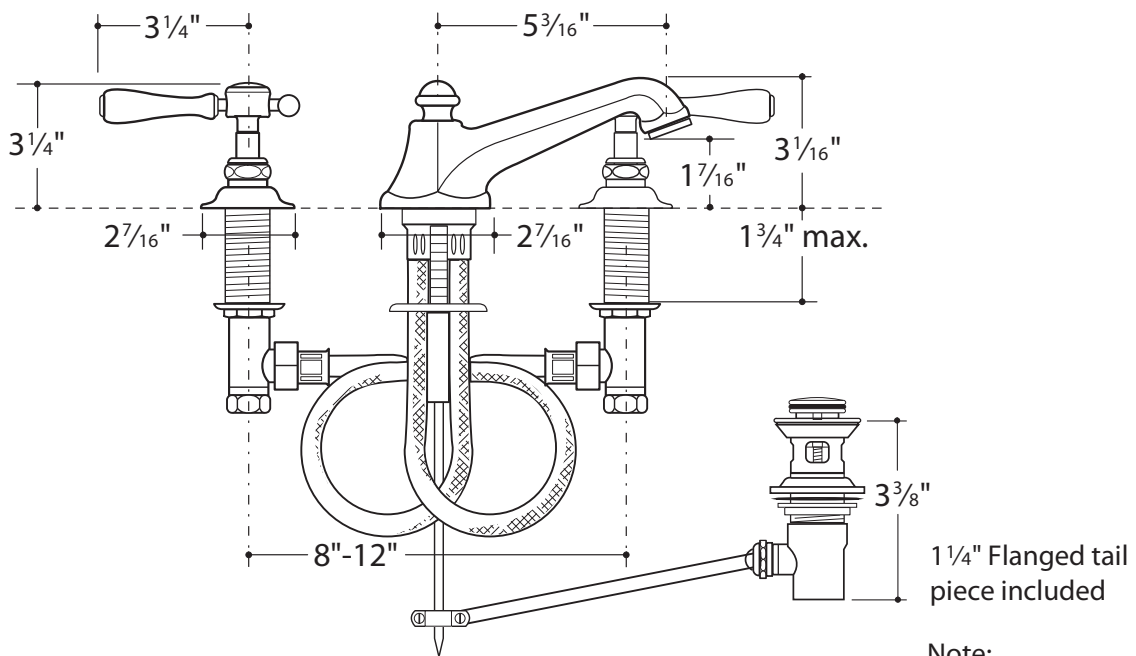


# ASTORIA

## LAVATORY FAUCET WITH LEVER HANDLES JULS60



Note:  
Drilling hole size: 1 1/4"

All dimensions are based on original specifications and are subject to change and variation. Please consult your Design Associate for current specification.