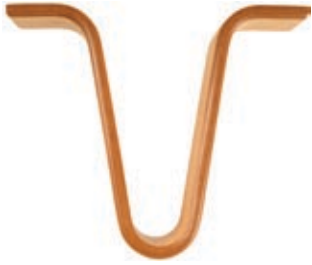


**MODERNICA**<sup>®</sup>

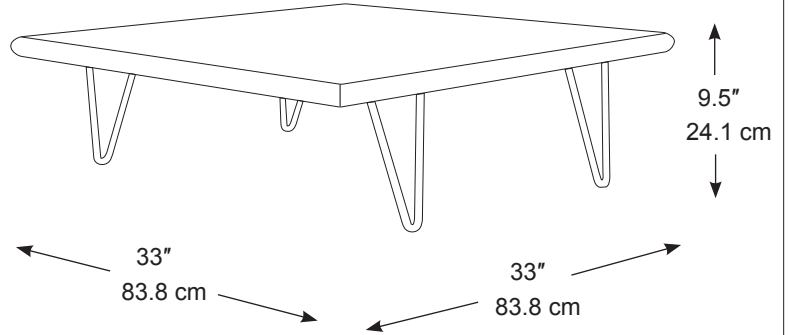
# CASESTUDY<sup>®</sup> DAYBED



Wood Leg



Metal Leg



## CASE STUDY CORNER TABLE

Designed by Modernica Studio in 1999

Laminated maple hardwood frame, chrome-plated  
brushed steel legs or bentwood legs.

Handcrafted in Los Angeles, U.S.A.



7366 Beverly Boulevard, Los Angeles CA 90036

TEL: 323•933•0383

MODERNICA.NET

distributed by **MODERNICA**<sup>®</sup>