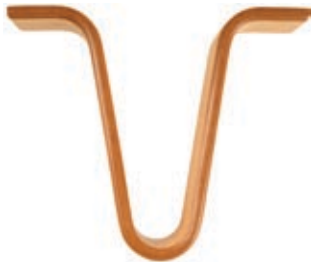


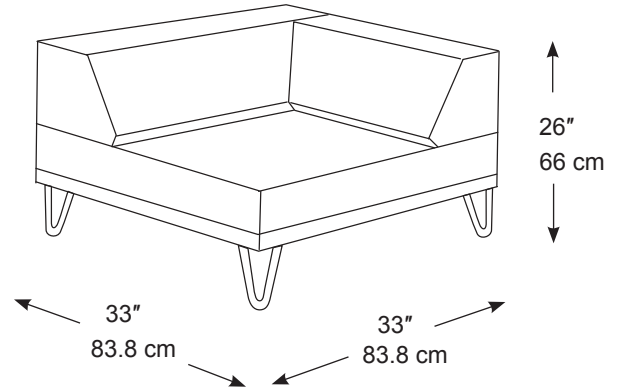
Yards of fabric required: 5



Wood Leg



Metal Leg



CASE STUDY DAYBED CORNER SECTION

Designed by Modernica Studio in 1999

Laminated maple hardwood frame, solid steel metal spring, chrome-plated brushed steel legs or bentwood legs, high-density polyurethane foam core, and fabric.

Handcrafted in Los Angeles, U.S.A.



7366 Beverly Boulevard, Los Angeles CA 90036

TEL: 323•933•0383

MODERNICA.NET

distributed by **MODERNICA®**