

COPPER RETROFIT ROOF DRAINS

RETROFIT DRAINS

**ProSeal™**

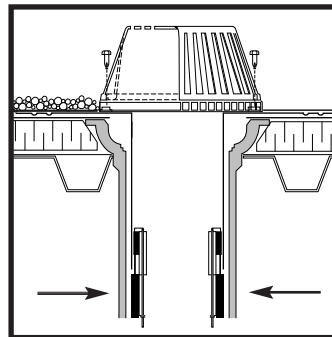


**“The Name Says It All!”**

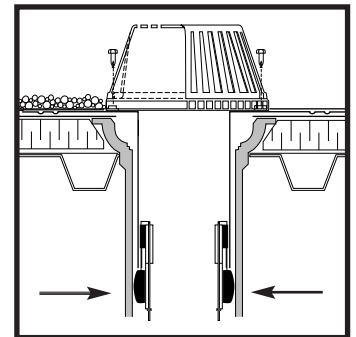
**FEATURES**

- *Heavy Duty, Durable, Long Lasting Copper*
- *Also available in Spun Aluminum*
- *Strong Mechanical Seal Prevents Water Backups*
- *Large 3 Bolt Strainer Dome*
- *All Common Sizes Available*
- *Bolt Down Clamping Ring for Single-Ply Systems*
- *Variable Length Copper Outlets, Up to 15"*

BEFORE COMPRESSION



AFTER COMPRESSION



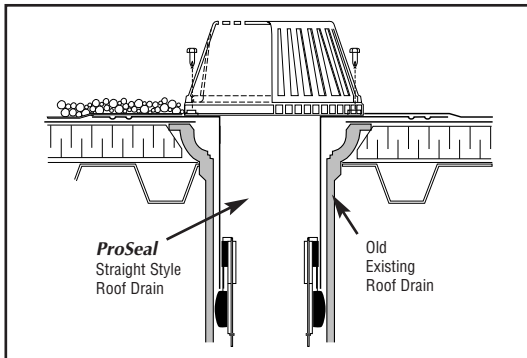
**Marathon**  
Roofing Products  
3310 N. Benzing Road, Orchard Park, NY 14127-1538  
PH: (716) 332-7673 • FAX: (716) 332-7676

FOR MORE INFORMATION:  
CALL TOLL-FREE 1-800-828-8424  
Website: [www.marathondrains.com](http://www.marathondrains.com) • E-mail: [mrp@marathondrains.com](mailto:mrp@marathondrains.com)

# SPECIFICATIONS

## ADVANTAGES

- A Copper Drain with mechanical seal
- Also available in spun aluminum
- Compression of mechanical seal eliminates water backing up into roof system
- Fits all standard sizes of existing roof drains
- Installs from the rooftop using simple hand or power screwdriver with square head adapter
- Offered in variable length outlets, up to 15"
- Proven performance of both copper, aluminum drain and mechanical seal
- Economical to purchase and simple to install

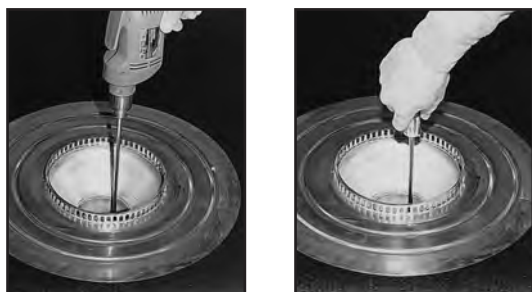


## INSTRUCTIONS

**Quick and Easy to Install**

- 1) Make certain the inside of the roof drain outlet is as clean and smooth as possible.
- 2) Apply liberal amounts of roof mastic to the underside of the drain flange.
- 3) Insert the **ProSeal** drain into the existing drain opening.
- 4) Using the long **ProSeal** hand screwdriver or power driven attachment in a power drill, evenly tighten the 3 seal screws from above until they are quite snug.
- 5) If the clamping ring option is to be used next bolt down the clamping ring over the roof membrane.
- 6) Attach the roof drain strainer dome.

**ProSeal Installation Drivers:** Drivers have special non-slip square heads to adapt to ProSeal expansion screws. Power shaft easily installs in any power drill for fast expansion of drain seal.

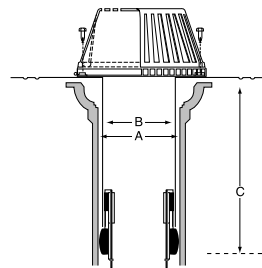


TYPE	SIZE		LENGTH
STRAIGHT (STR)	EXISTING DRAIN SIZE (A) inches/mm	OUTSIDE DIAMETER (B) inches/mm	STRAIGHT (C) inches/mm
<b>ProSeal (STR) 3</b>	3" 76 mm	2.8" 72 mm	11" 279 mm
<b>ProSeal (STR) 4</b>	4" 102 mm	3.78" 96 mm	11" 279 mm
<b>ProSeal (STR) 5</b>	5" 127 mm	4.70" 119 mm	11" 279 mm
<b>ProSeal (STR) 6</b>	6" 152 mm	5.65" 144 mm	11" 279 mm

Standard: **ProSeal** drains include 10" (203mm) high density polyethylene (black Plastic) strainer dome

**Options for ProSeal Drains:**

- CR clamping ring for straight styles only
- drain outlets may be ordered extended by 6" (152 mm)
- cast iron stainer dome
- flange coatings: Asphalt, PVC or Plain (standard)



*Quality Products for Professional Roofers*