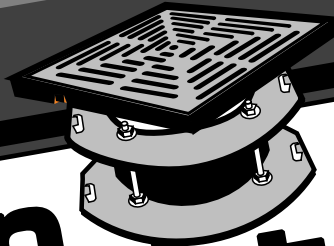


HEAVY DUTY DRAINS



# Cast Iron Heavyweights

ROOF DRAINS



3310 N. Benzing Road, Orchard Park, NY 14127-1538  
PH: (716) 332-7673 • FAX: (716) 332-7676

CALL FOR MORE INFORMATION:  
TOLL-FREE 1-800-828-8424  
Website: [www.marathondrains.com](http://www.marathondrains.com) • E-mail: [mrp@marathondrains.com](mailto:mrp@marathondrains.com)

# HEAVY DUTY CAST IRON DRAINS

## High Quality • Smaller Size • Economical Price SMALL BODY CAST IRON DRAINS

Cast Iron for Versatile, Durable, Reliable Service

Heavy duty construction to withstand climate and the rigors of long-term use.

- Meets standards for small body application. Available with optional PVC body
- Standard self-locking plastic or optional cast aluminum dome
- Available in 2", 3" and 4" pipe sizes with no hub style, threaded, caulk or push-on pipe connections
- Options listed below

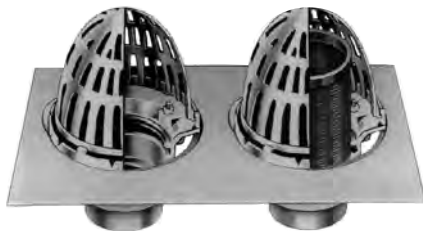


Standard cast iron small body with optional cast aluminum dome



### SMALL AREA ROOF DRAIN

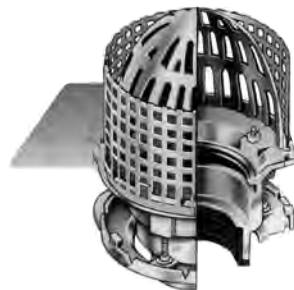
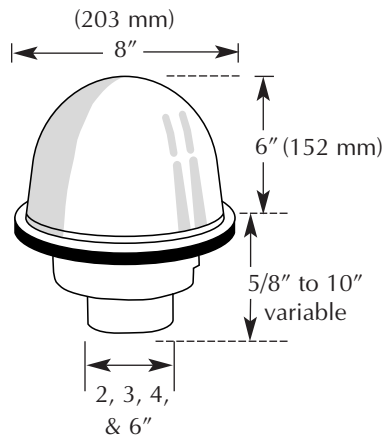
- with Internal Standpipe*
- adjustable internal water dam
  - self locking poly dome
  - optional sump receiver



### COMBINED ROOF DRAIN

*with Overflow System*

- adjustable internal water dam
- epoxy coated dual sump receiver
- self locking poly domes



### SMALL AREA ROOF DRAIN

*with Stainless Steel Ballast Guard*

- self-locking poly dome
- no hub outlet

### Small Body Options Description

- |                       |                        |                                 |
|-----------------------|------------------------|---------------------------------|
| • Push-on Outlet      | • Sump Receiver        | • Underdeck Clamp               |
| • Threaded Outlet     | • Cast Aluminum Dome   | • Adjustable Internal Water Dam |
| • Inside Caulk Outlet | • Adjustable Extension | • Elastomeric Flange            |
| • PVC Socket Outlet   | • Vandal Proof Dome    |                                 |

# EXTRA LARGE BODY CAST IRON DRAINS

- Available in pipe sizes of 3", 4", 5" 6", 8" & 10"
- Standard self locking plastic or optional Cast Iron or Aluminum Domes
- Comparable to the most common extra large body cast iron drains. Available with optional PVC body
- Optional outlet connections available
- Ballast Guard available in many sizes
- 4 Bolt Pattern Ring



Standard cast iron extra large body with optional cast iron dome



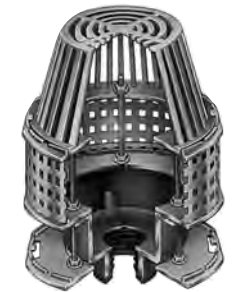
**EXTRA LARGE SUMP ROOF DRAIN**  
with 2" External Water Drain

- self locking poly dome
- no hub outlet



**EXTRA LARGE AREA ROOF DRAIN**  
with Stainless Steel Ballast Guard

- flashing clamp with internal gravel stop



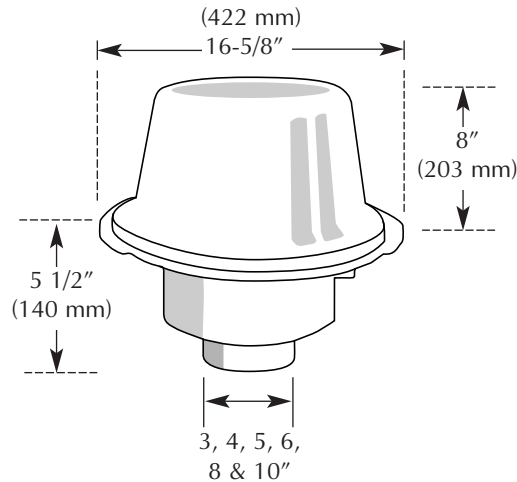
**EXTRA LARGE AREA I.R.M.A. ROOF DRAIN**  
with Stainless Steel Ballast Guard

- primary & secondary flashing clamps



**EXTRA LARGE AREA ROOF DRAIN**  
with Internal Standpipe

- adjustable internal water dam
- self locking poly dome
- optional push-on outlet shown

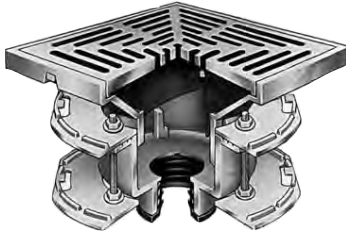


## Extra Large Body Options Description

- |                        |                               |                              |                                 |
|------------------------|-------------------------------|------------------------------|---------------------------------|
| • No Hub Outlet        | • Adjustable Extension Flange | • Low Profile Cast Iron Dome | • 2" External Water Dam         |
| • Underdeck Clamp      | • Cast Iron Dome              | • Bronze Dome                | • Adjustable Internal Water Dam |
| • Adjustable Extension | • Aluminum Dome               | • Vandal Proof Dome          | • Elastomeric Flange            |

# PROMENADE DRAINS & ACCESSORIES

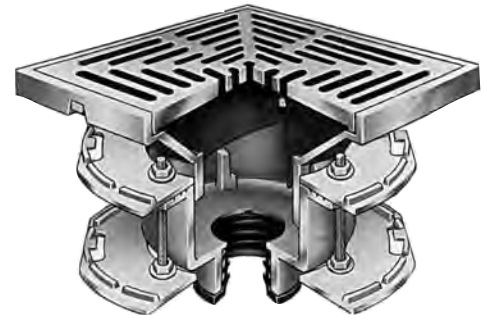
## CAST IRON PROMENADE DRAINS



### SMALL AREA ROOF DRAIN

*with 8" x 8" Promenade Top*

- adjustable height
- epoxy coated
- same drain body options as cast iron **small** body



### LARGE AREA ROOF DRAIN

*with 12" x 12" Promenade Top*

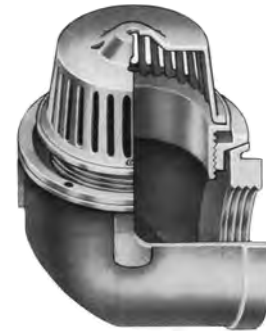
- adjustable height
- epoxy coated
- same drain body options as cast iron **large** body

## EXTRA HEAVY DUTY ACCESSORIES



### BALCONY DRAIN

- adjustable arched bronze dome
- threaded outlet
- epoxy coating
- flat style grate available
- Size 2", 3" and 4"



### SIDE OUTLET BALCONY DRAIN

- adjustable arched bronze dome
- flashing clamp
- threaded outlet
- epoxy coating
- flat style grate available
- Size 2", 3" and 4"



### VENT CAP

- vandal resistant
- epoxy coated
- Size 2", 3", 4", 6" and 8"



### DOWNSPOUT NOZZLE

- nickel bronze downspout & anchor flange
- Size 2", 3" and 4"



3310 N. Benzing Road, Orchard Park, NY 14127-1538  
PH: (716) 332-7673 • FAX: (716) 332-7676

FOR MORE INFORMATION:  
CALL TOLL-FREE 1-800-828-8424  
Website: [www.marathondrains.com](http://www.marathondrains.com) • E-mail: [mrp@marathondrains.com](mailto:mrp@marathondrains.com)