

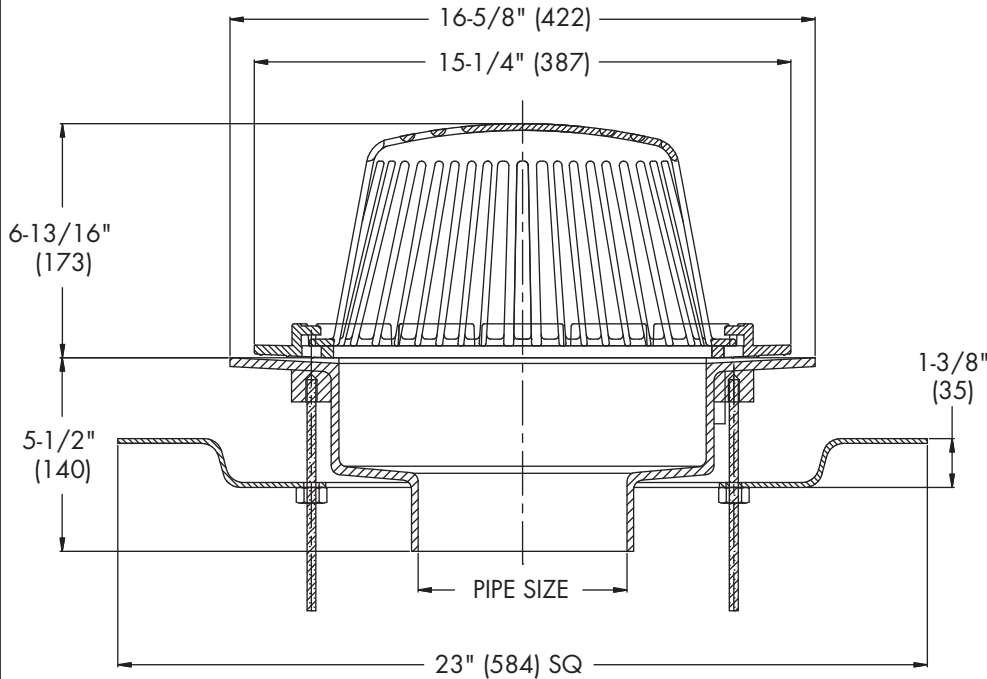


RD-300-F

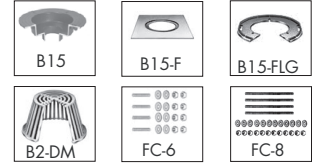
Tag: _____

Roof Drain with Adjustable Extension Flange

SPECIFICATION: Watts Drainage RD-300-F epoxy coated cast iron roof drain with flashing clamp with integral gravel stop, heavy gauge zinc plated steel adjustable extension flange, self-locking polyethylene dome, and no hub (standard) outlet.



Components



Pipe Sizing (Select One)

Suffix	Description	
3	3" (76) Pipe Size	<input type="checkbox"/>
4	4" (102) Pipe Size	<input type="checkbox"/>
5	5" (127) Pipe Size	<input type="checkbox"/>
6	6" (152) Pipe Size	<input type="checkbox"/>
8	8" (203) Pipe Size	<input type="checkbox"/>
10	10" (254) Pipe Size	<input type="checkbox"/>

Options (Select One or More)

Suffix	Description	
-13	Galvanized Body & Clamp	<input type="checkbox"/>
-D	Underdeck Clamp	<input type="checkbox"/>
-GSS	Stainless Steel Ballast Guard	<input type="checkbox"/>
-K	Ductile Iron Dome	<input type="checkbox"/>
-K13	Galvanized Dome	<input type="checkbox"/>
-K40	Ductile Iron Low Dome (4" high)	<input type="checkbox"/>
-K80	Aluminum Dome	<input type="checkbox"/>
-K81	Rough Bronze Dome	<input type="checkbox"/>
-K83	SS Mesh Covered Dome	<input type="checkbox"/>
-L	Vandal Proof Dome	<input type="checkbox"/>
-R	2" External Water Dam	<input type="checkbox"/>
-W	Adjustable Internal Water Dam	<input type="checkbox"/>

Free Area Sq. In.
137

Deck opening 18-1/2" (470)

Job Name _____ Contractor _____

Job Location _____ Contractor's P.O. No. _____

Engineer _____ Representative _____

WATTS Drainage reserves the right to modify or change product design or construction without prior notice and without incurring any obligation to make similar changes and modifications to products previously or subsequently sold. See your WATTS Drainage representative for any clarification. Dimensions are subject to manufacturing tolerances.



Specification Drainage Products

USA: 100 Watts Road, Spindale, NC, 28160-2298; TEL: 828-288-2179 TOLL-FREE: 1-800-338-2581 www.watts.com