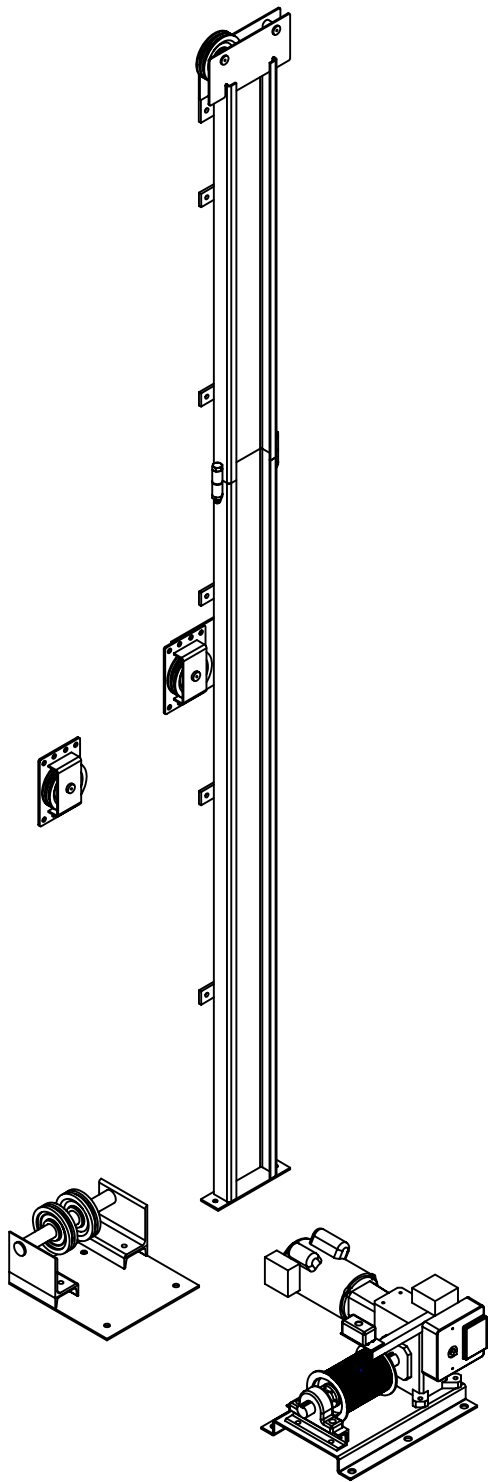
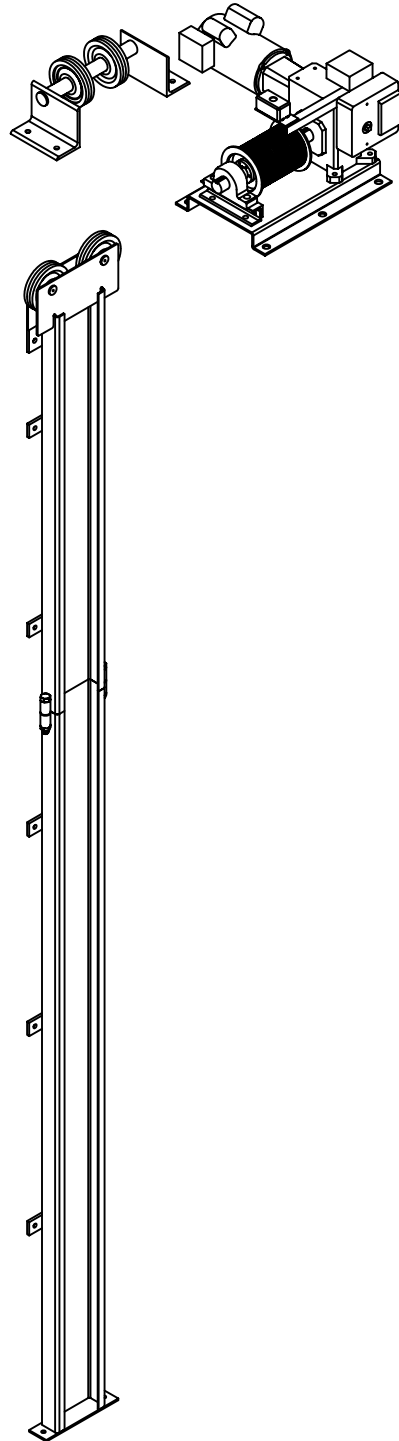


# TYPICAL 500 LB. SHEAVE CONFIGURATIONS



ADJACENT MACHINE ROOM



OVERHEAD TRAVELING SHEAVE

DWG. NO.  
C-002041