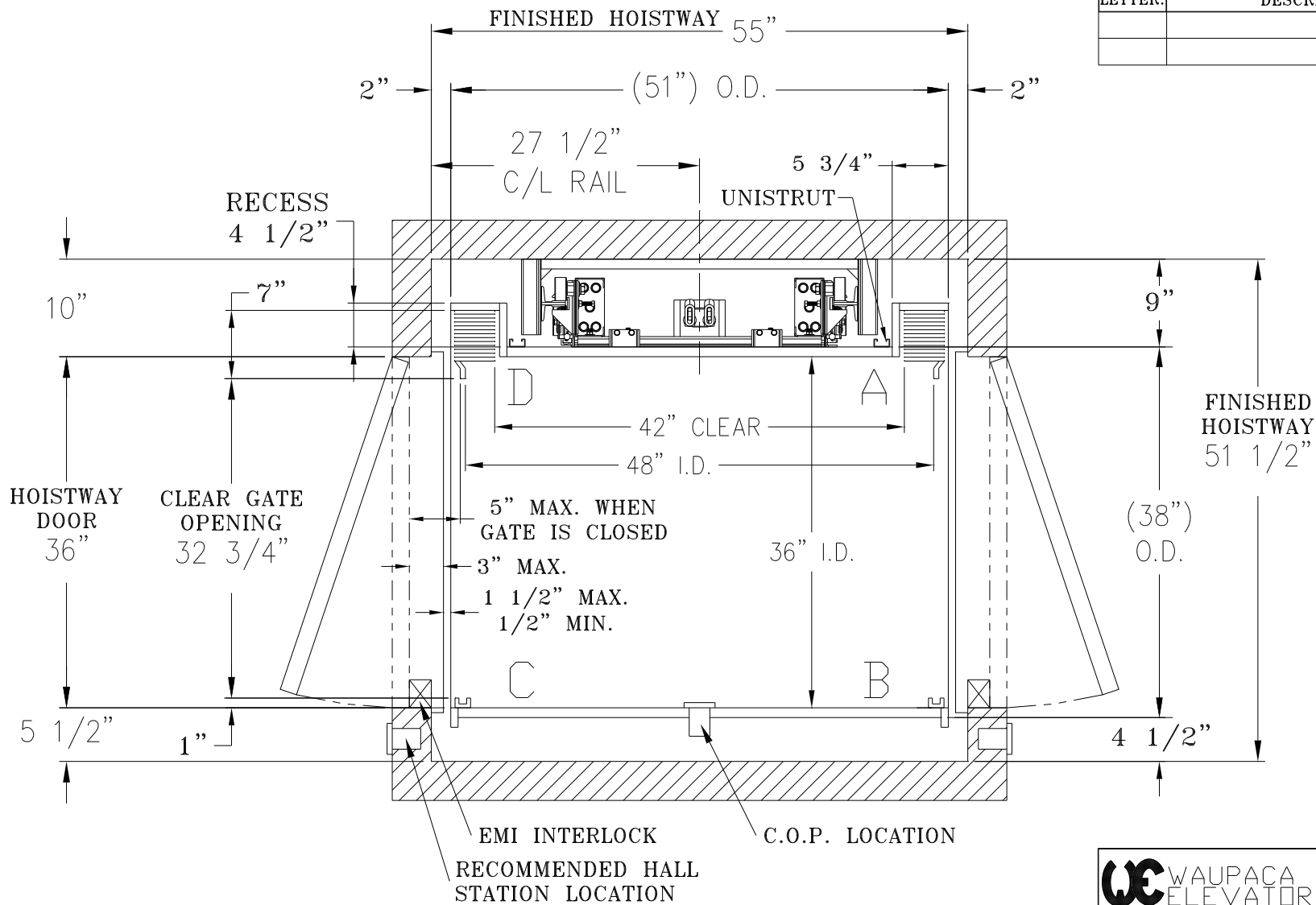


REVISIONS

LETTER:	DESCRIPTION:	DATE:	BY:



NOTE:  
 HOISTWAY BY OTHERS PER  
 CODE. WALLS TO BE PLUMB  
 AND SQUARE. ALL HOISTWAY  
 DOORS BY OTHERS PER CODE.

**WE** WAUPACA ELEVATOR CO., INC.  
 1726 North Ballard Road  
 Appleton, WI 54911  
 Phone: 800-238-8739

Residential Elevators \* Wheelchair-Compatible Elevators  
 RESIDENTIAL AND COMMERCIAL DUMBWAITERS

CUSTOMER:

CONTRACTOR:

TITLE: T-RAIL WINDING DRUM  
 ACCORDION GATE  
 ABR DCR OPENING

QUOTE NUMBER:

DRAWN BY:

SCALE:

DWG. NO.

APPD:

DATE:

C-002885