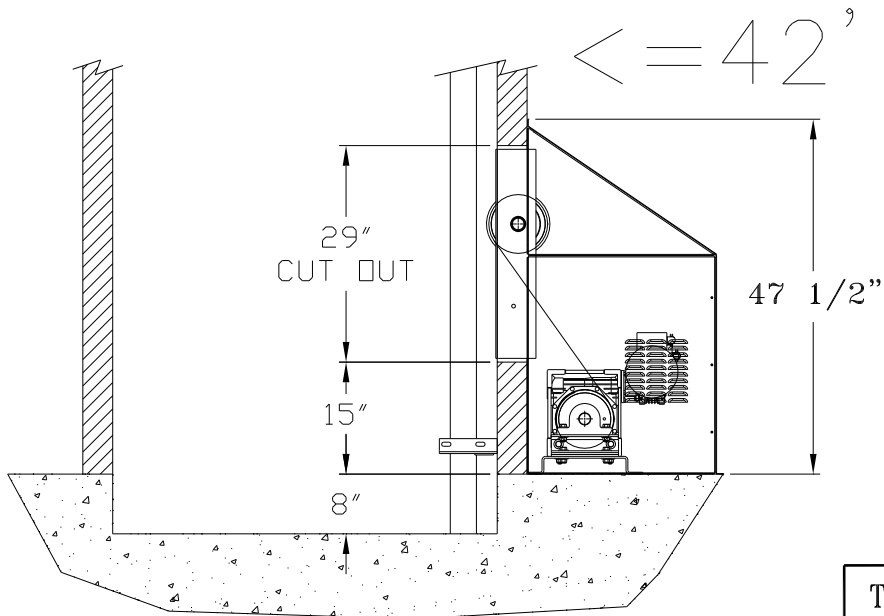
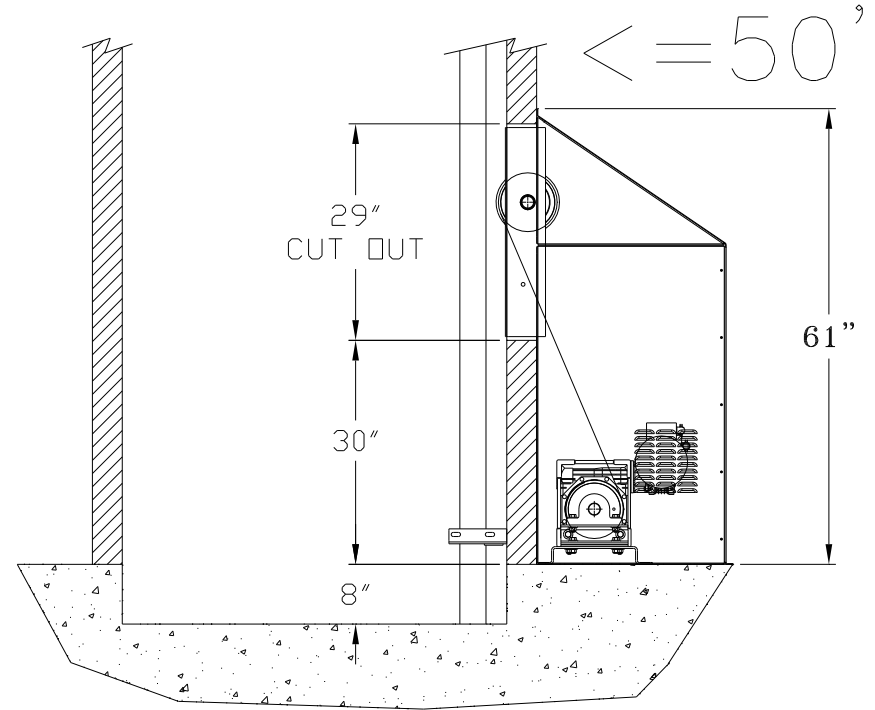
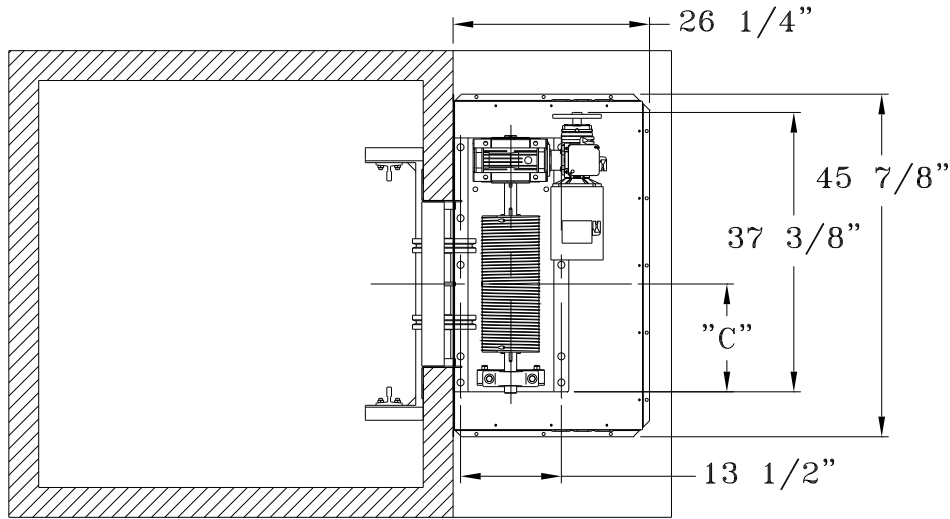


REVISIONS

LETTER:	DESCRIPTION:	DATE:	BY:



WAUPACA ELEVATOR CO., INC.
 1726 North Ballard Road
 Appleton, WI 54911
 Phone: 800-238-8739

Residential Elevators * Wheelchair-Compatible Elevators
 RESIDENTIAL AND COMMERCIAL DUMBWAITERS

CUSTOMER:

CONTRACTOR:

TITLE: **T-RAIL WINDING DRUM
 TRAVELING SHEAVE
 MACHINE ROOM**

QUOTE NUMBER:

DRAWN BY:

SCALE:

DWG. NO.

APPD:

DATE:

C-002830

TRAVEL (FEET)	<35	<42	<50
DRUM LENGTH (INCH)	18	21	24
DRUM C/L DIST. "C" (IN)	14 1/2	14 1/2	17 3/4
MACH. BASE (IN)	34	34	38