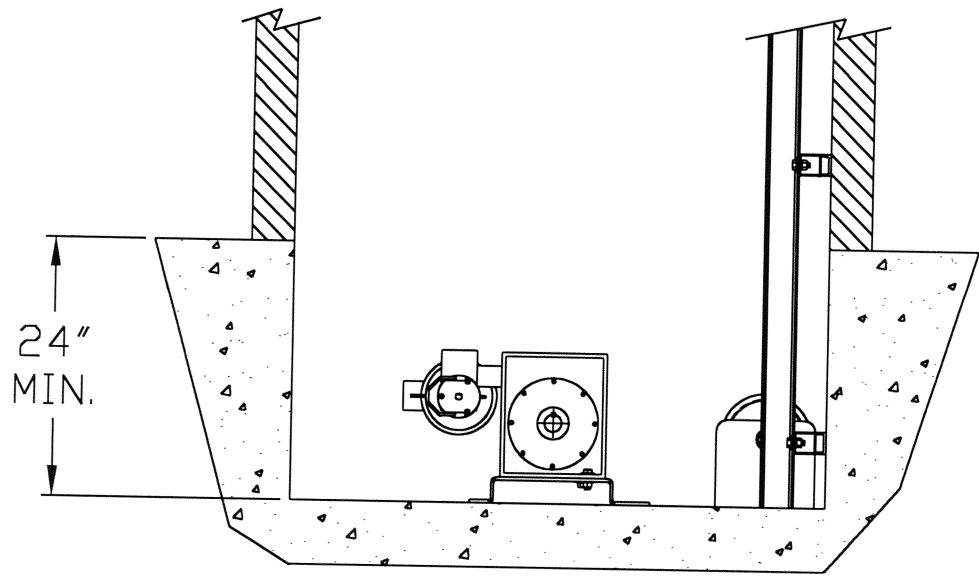


| | | | | | | |
|-------------------------|-------|-----|--------|--------|--------|--------|
| TRAVEL (FEET) | <14 | <21 | <28 | <35 | <42 | <50 |
| DRUM LENGTH (INCH) | 9 | 12 | 15 | 18 | 21 | 24 |
| DRUM C/L DIST. "C" (IN) | 8 1/4 | 10 | 12 1/4 | 14 1/2 | 14 1/2 | 17 3/4 |
| MACH. BASE (IN) | 22 | 26 | 29 | 34 | 34 | 38 |
| MINIMUM FOR "K" | 20 | 20 | 20 | 20 | 25 | 47 |



WE WAUPACA ELEVATOR CO., INC. 1726 North Ballard Road
 Appleton, WI 54911 Phone: 800-238-8739

Residential Elevators * Wheelchair-Compatible Elevators
RESIDENTIAL AND COMMERCIAL DUMBWAITERS

CUSTOMER: _____

CONTRACTOR: _____

TITLE: TRAVELING SHEAVES
 MACHINE IN PIT
 PACA LIFT

QUOTE NUMBER: _____

| | | |
|-----------|--------|----------|
| DRAWN BY: | SCALE: | DWG. NO. |
| APPD: | DATE: | C-002448 |