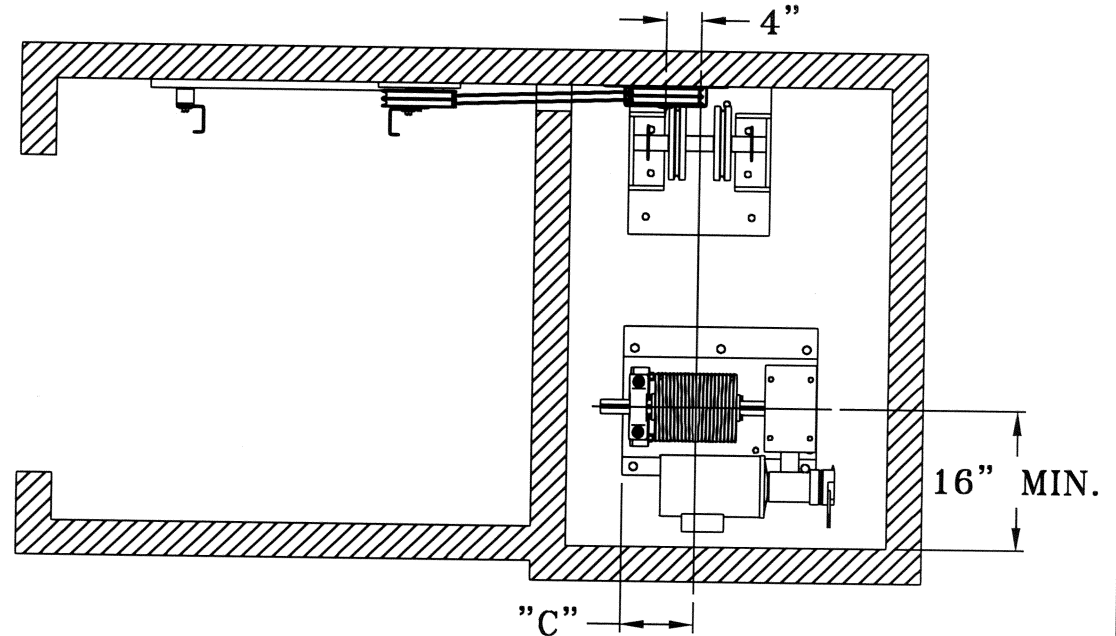
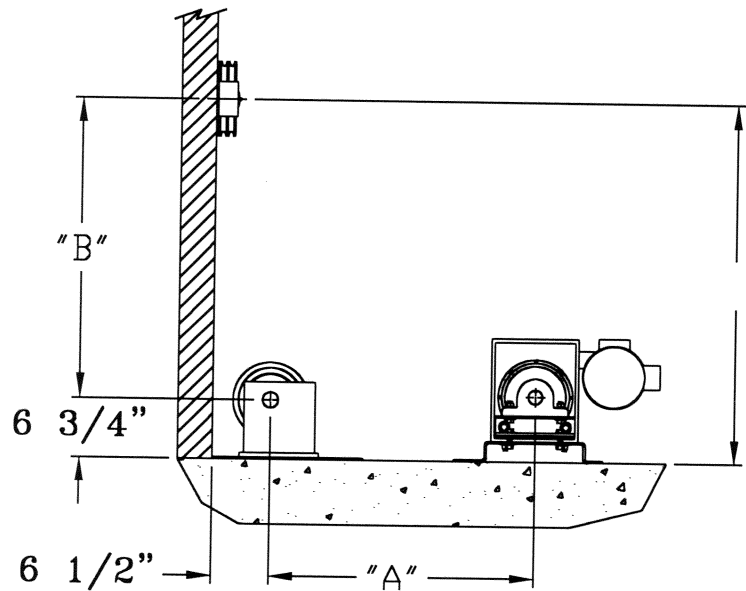


REVISIONS			
LETTER:	DESCRIPTION:	DATE:	BY:



TRAVEL (FEET)	<14	<21	<28	<35	<42	<50
DRUM LENGTH (INCH)	9	12	15	18	21	24
DRUM C/L DIST. "C" (IN)	8 1/4	10	12 1/4	14 1/2	14 1/2	17 3/4
MACH. BASE (IN)	22	26	29	34	34	38
MINIMUM FOR "A"	30	30	30	39	61	82
MIN. "A" + "B"	64	86	107	129	150	172

WE WAUPACA ELEVATOR CO., INC. 1728 North Ballard Road
 Appleton, WI 54911 Phone: 800-238-8739

Residential Elevators * Wheelchair-Compatible Elevators
RESIDENTIAL AND COMMERCIAL DUMBWAITERS

CUSTOMER: _____

CONTRACTOR: _____

TITLE: **ADJACENT RIGHT MACHINE ROOM PACA LIFT**

QUOTE NUMBER: _____

DRAWN BY:	SCALE:	DWG. NO.
APPD:	DATE:	C-002446