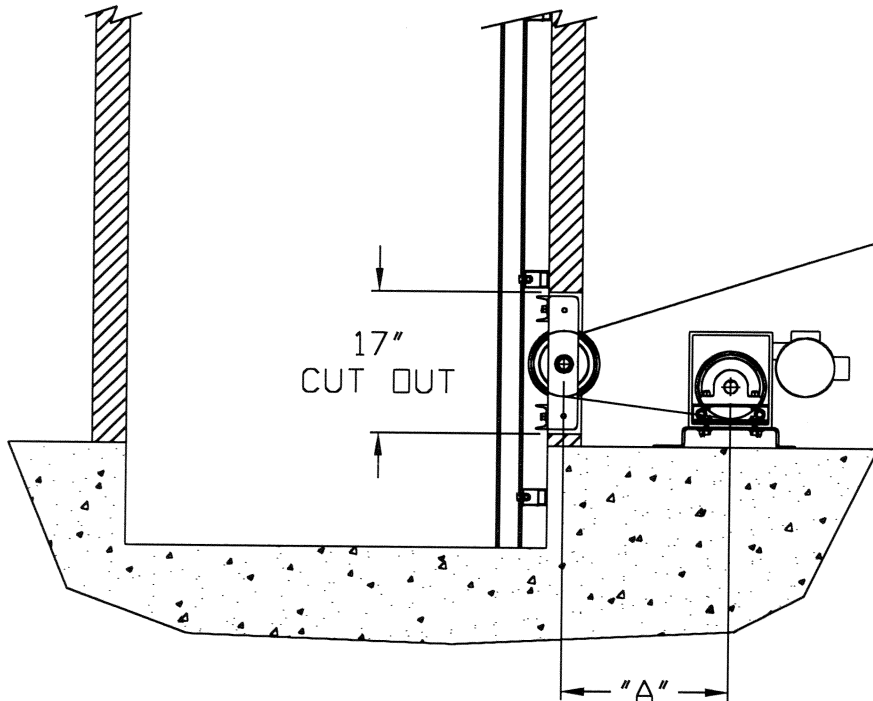
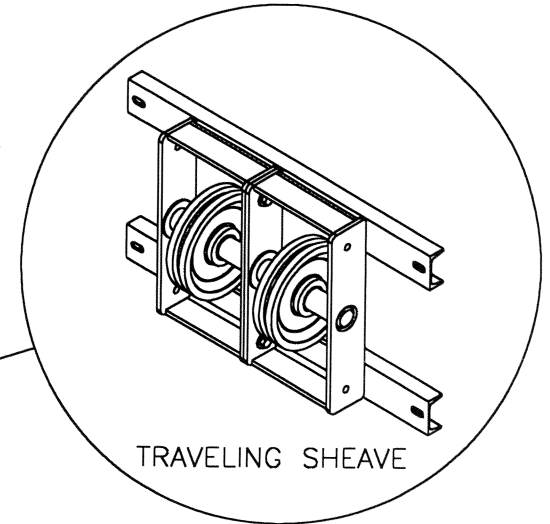
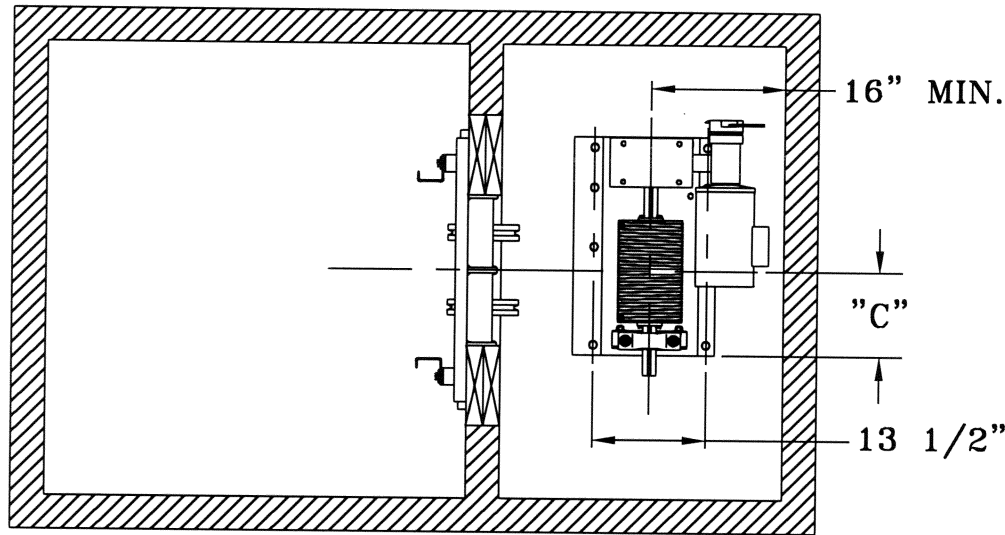


REVISIONS

LETTER:	DESCRIPTION:	DATE:	BY:

TRAVEL (FEET)	<14	<21	<28	<35	<42	<50
DRUM LENGTH (INCH)	9	12	15	18	21	24
DRUM C/L DIST. "C" (IN)	8 1/4	10	12 1/4	14 1/2	14 1/2	17 3/4
MACH. BASE (IN)	22	26	29	34	34	38
MINIMUM FOR "A"	20	20	20	20	42	63



WE WAUPACA ELEVATOR CO., INC. 1726 North Ballard Road
Appleton, WI 54911 Phone: 800-238-8739

Residential Elevators * Wheelchair-Compatible Elevators
RESIDENTIAL AND COMMERCIAL DUMBWAITERS

CUSTOMER:

CONTRACTOR:

TITLE: **PACA LIFT TRAVELING SHEAVE MACHINE ROOM**

QUOTE NUMBER:

DRAWN BY: SCALE: DWG. NO.

APPD: DATE: C-002125