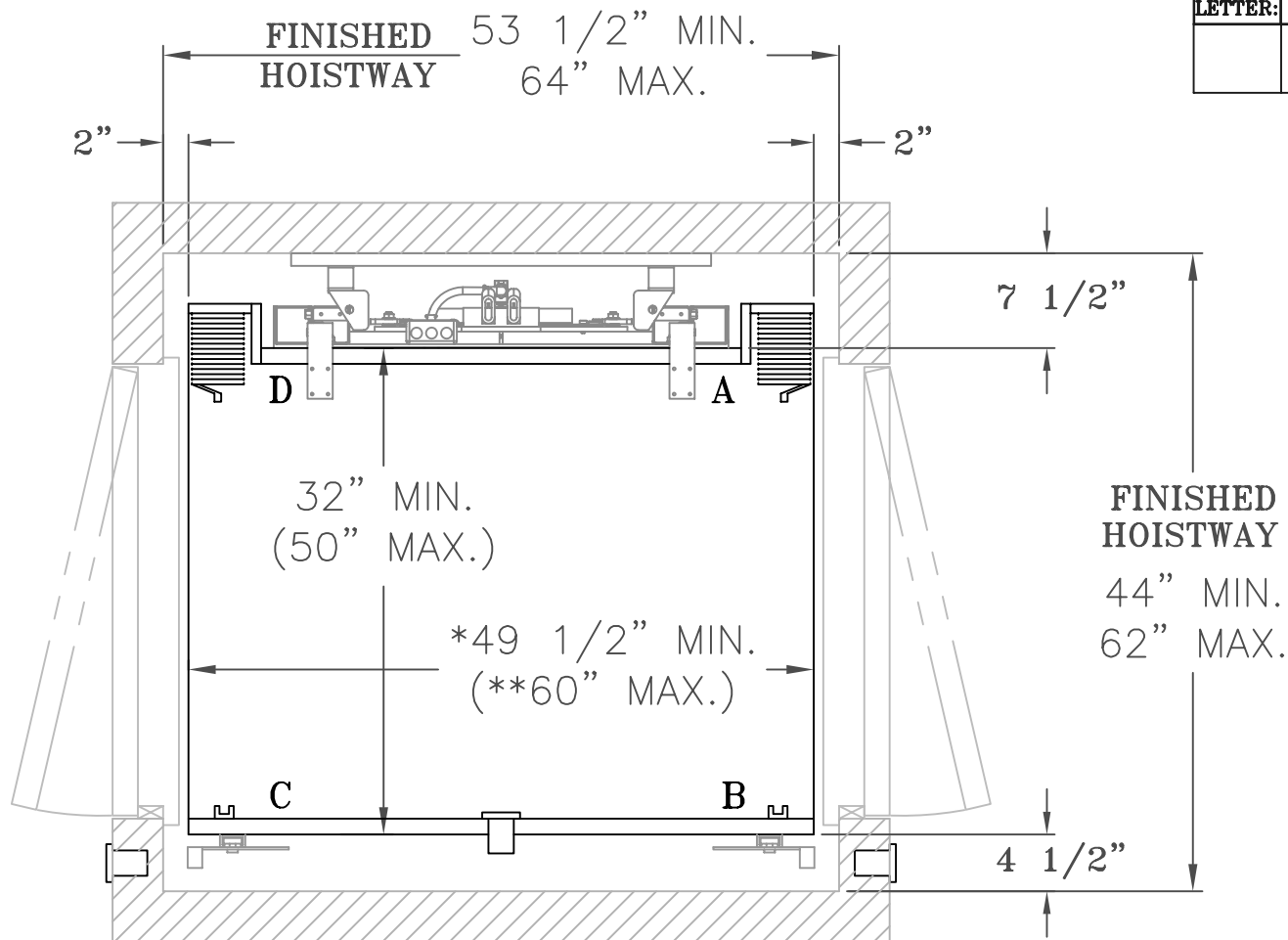


REVISIONS			
LETTER:	DESCRIPTION:	DATE:	BY:



*SINGLE OPENING - 42 3/4" MINIMUM
(RAIL IS NOT CENTERED IN HOISTWAY)

**SINGLE OPENING - 59 1/2" MAXIMUM

NOTE:

1. MIN. DA DIMS. REFLECT RAIL CENTERED IN HOISTWAY.
2. MIN. DA DIM. FOR CAB WITHOUT A RECESS IS 36".
3. CAB I.D. CAN NOT EXCEED 15 SQ. FT. FOR 1000 LB.

WE WAUPACA ELEVATOR CO., INC. 1726 North Ballard Road
Appleton, WI 54911 Phone: 800-238-8739

Residential Elevators * Wheelchair-Compatible Elevators
RESIDENTIAL AND COMMERCIAL DUMBWAITERS

TITLE: PACA GLIDE 1000 LB.
MIN. & MAX. CAB DIMENSIONS

DRAWN BY: MLK.	SCALE: N.T.S.	DWG. NO:
APPD:	DATE: 9/30/05	C-002061