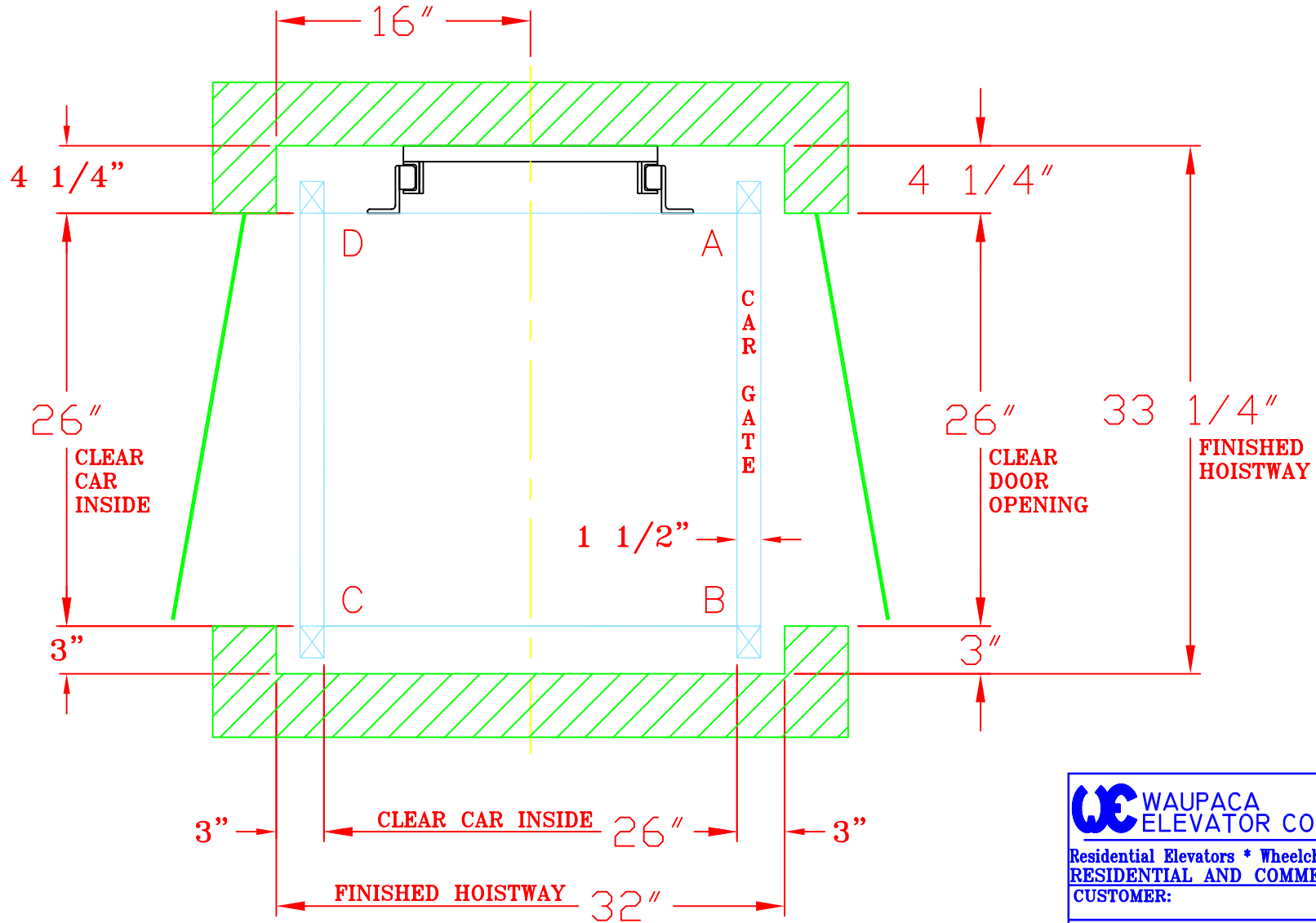


REVISIONS

LETTER:	DESCRIPTION:	DATE:	BY:



WE WAUPACA ELEVATOR CO., INC.
 1726 North Ballard Road
 Appleton, WI 54911
 Phone: 800-238-8739

Residential Elevators * Wheelchair-Compatible Elevators
 RESIDENTIAL AND COMMERCIAL DUMBWAITERS

CUSTOMER:

CONTRACTOR:

TITLE: **PACAWAITER
 HOISTWAY LAYOUT
 OPP. OPENING W/ GATES**

QUOTE NUMBER:

DRAWN BY:	SCALE:	DWG. NO.
APPD:	DATE:	C-001232