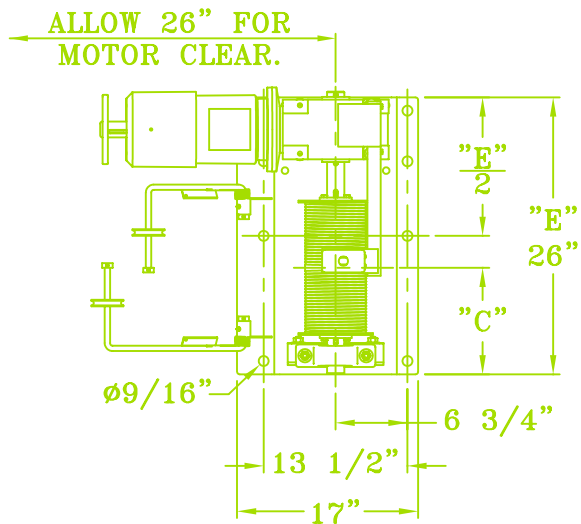
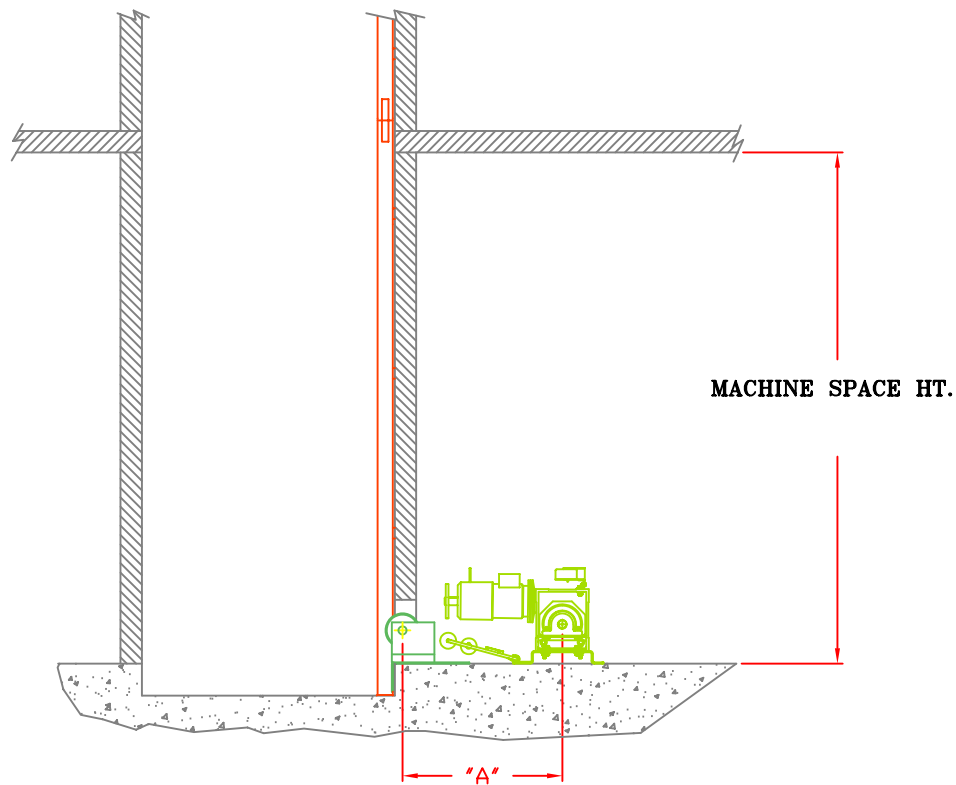
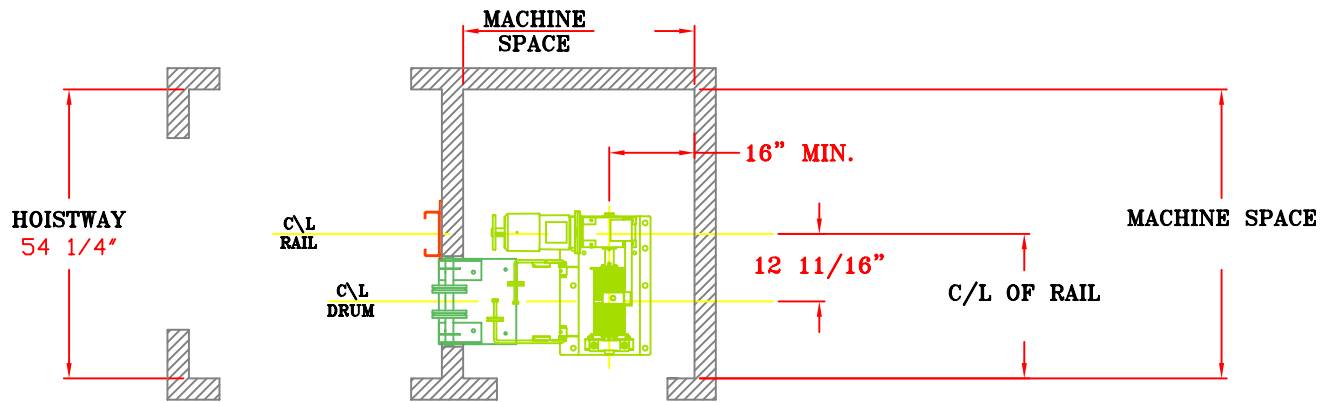



REVISIONS			
LETTER:	DESCRIPTION:	DATE:	BY:



TRAVEL (FEET)	<14	<24	<32	<40	<50
DRUM LENGTH (INCH)	8	12	15	18	22
DRUM C/L DIST. "C" (IN)	8 1/4	10	12 1/4	14 1/2	14 1/2
MACH. BASE "E" (IN)	22	26	29	34	34
MINIMUM FOR "A"	30	30	30	43	72


WAUPACA ELEVATOR CO., INC.
 1726 North Ballard Road
 Appleton, WI 54911
 Phone: 800-238-8739

Residential Elevators * Wheelchair-Compatible Elevators
 RESIDENTIAL AND COMMERCIAL DUMBWAITERS
 CUSTOMER:

CONTRACTOR:

TITLE: **MACHINE ROOM LAYOUT
 TRAVELING SHEAVE
 CONFIGURATION**

QUOTE NUMBER:

DRAWN BY:	SCALE:	DWG. NO.
APPD:	DATE:	C-001948