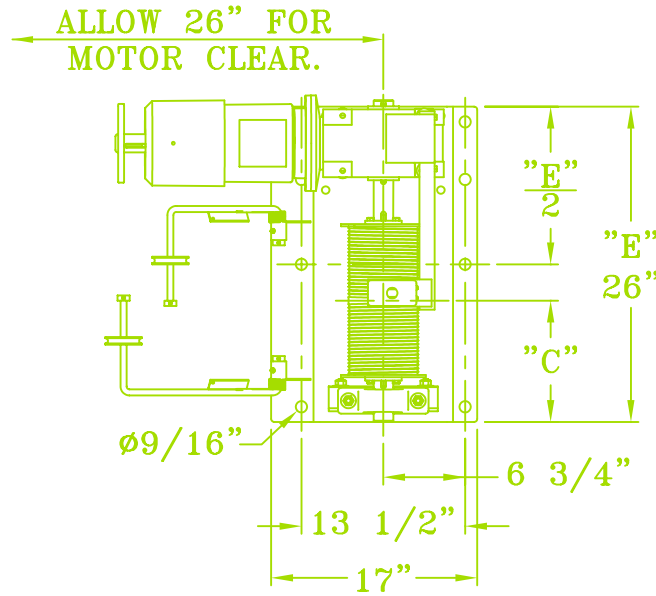
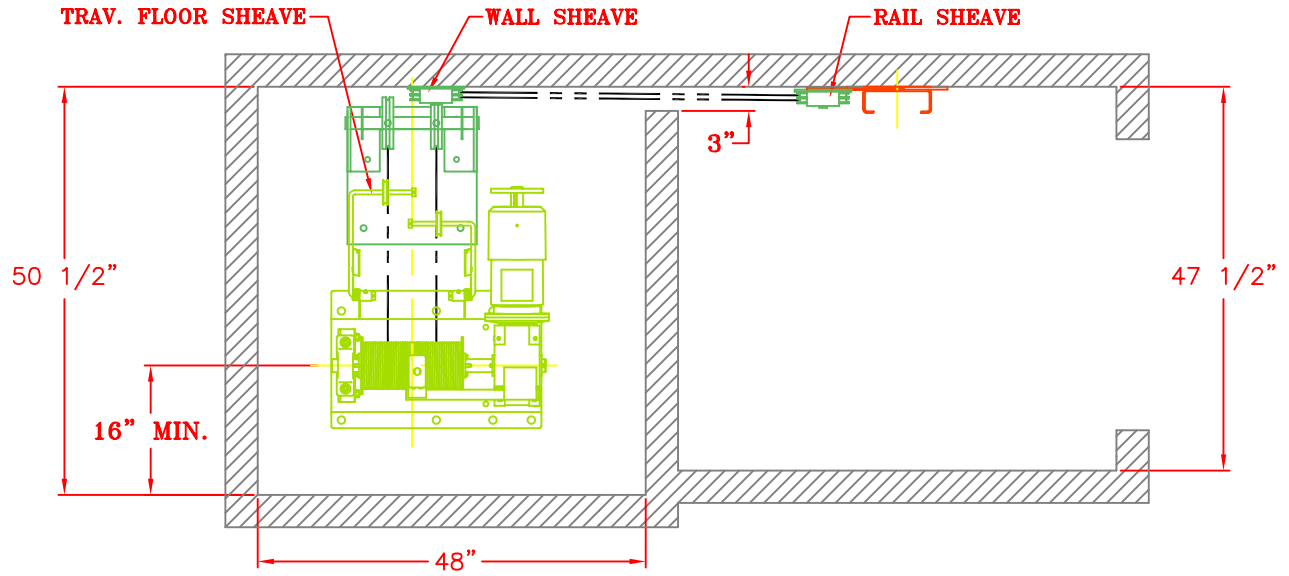
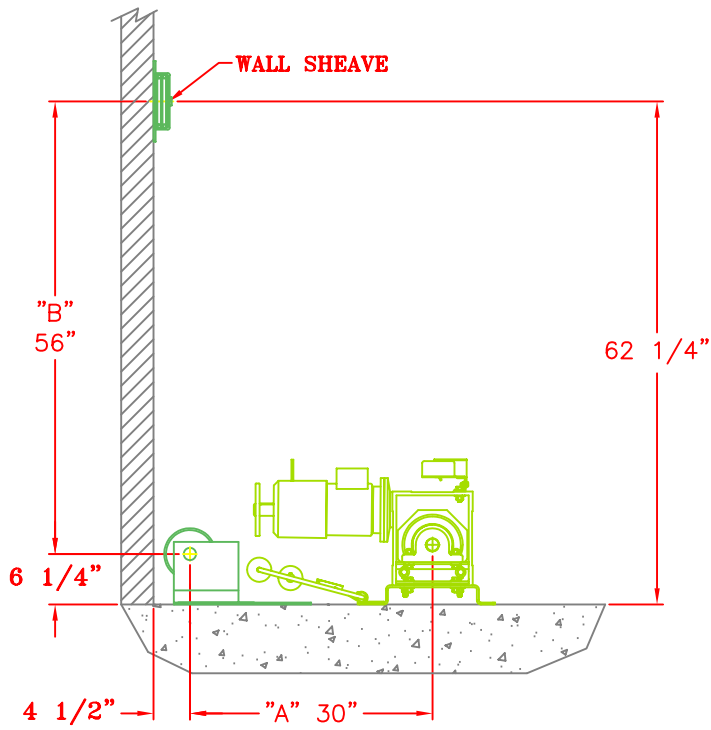



TRAVEL (FEET)	<14	<24	<32	<40	<50
DRUM LENGTH (INCH)	8	12	15	18	22
DRUM C/L DIST. "C" (IN)	8 1/4	10	12 1/4	14 1/2	14 1/2
MACH. BASE "E" (IN)	22	26	29	34	34
MIN. "A" + "B"	57	86	107	129	157
MINIMUM FOR "A"	30	30	30	43	72




WAUPACA ELEVATOR CO., INC.
 1726 North Ballard Road
 Appleton, WI 54911
 Phone: 800-238-8739

Residential Elevators * Wheelchair-Compatible Elevators
 RESIDENTIAL AND COMMERCIAL DUMBWAITERS
 CUSTOMER: _____
 CONTRACTOR: _____
 TITLE: **MACHINE ROOM LAYOUT
 ADJACENT LEFT SIDE
 CONFIGURATION**
 QUOTE NUMBER: _____
 DRAWN BY: _____ SCALE: _____ DWG. NO. _____
 APPD: _____ DATE: _____ C-001926