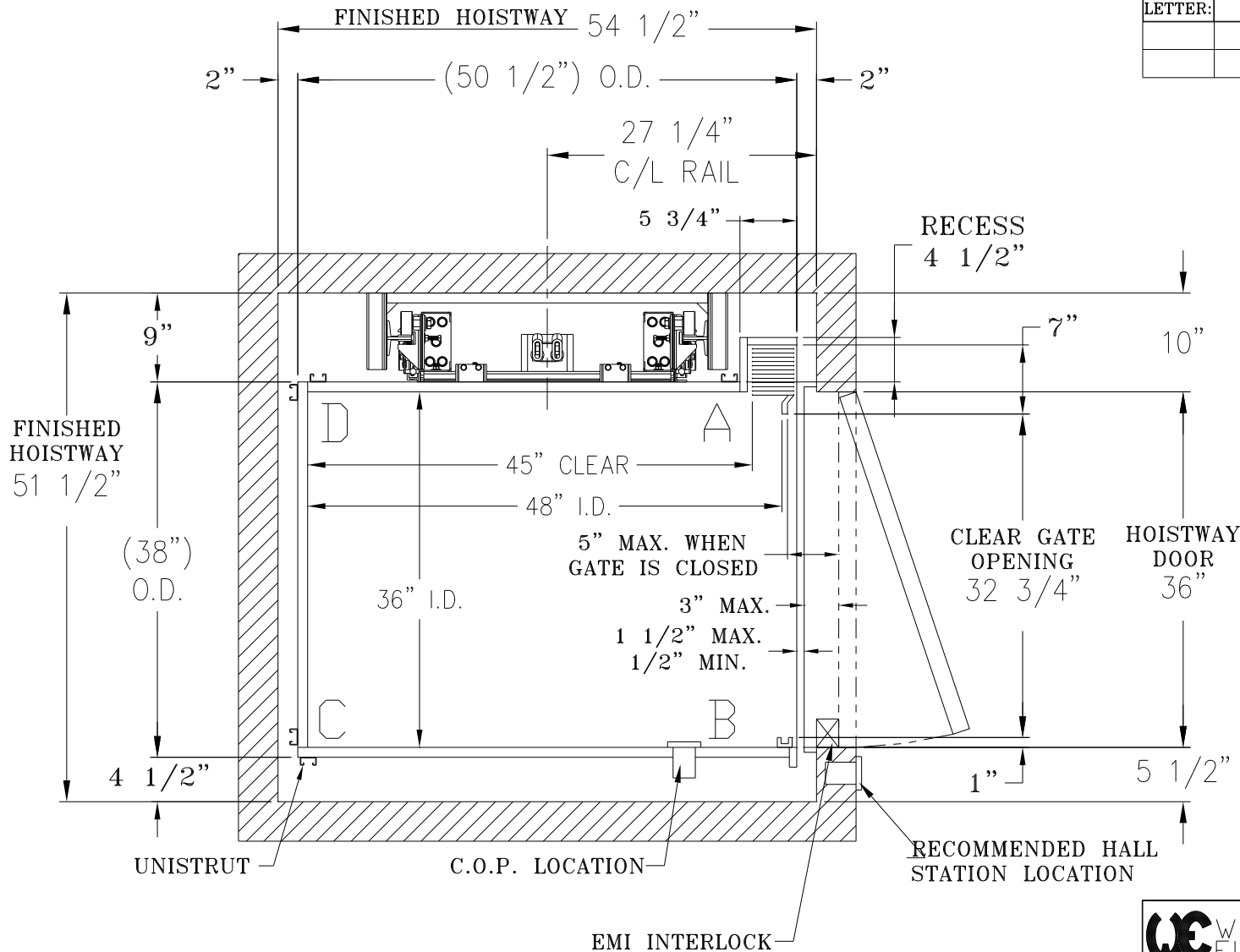


REVISIONS

LETTER:	DESCRIPTION:	DATE:	BY:



NOTE:
 HOISTWAY BY OTHERS PER
 CODE. WALLS TO BE PLUMB
 AND SQUARE. ALL HOISTWAY
 DOORS BY OTHERS PER CODE.

WE WAUPACA ELEVATOR CO., INC.
 1726 North Ballard Road
 Appleton, WI 54911
 Phone: 800-238-8739

Residential Elevators * Wheelchair-Compatible Elevators
 RESIDENTIAL AND COMMERCIAL DUMBWAITERS

CUSTOMER:

CONTRACTOR:

TITLE: T-RAIL WINDING DRUM
 ACCORDION GATE
 ABR OPENING

QUOTE NUMBER:

DRAWN BY:

SCALE:

DWG. NO.

APPD:

DATE:

C-002850