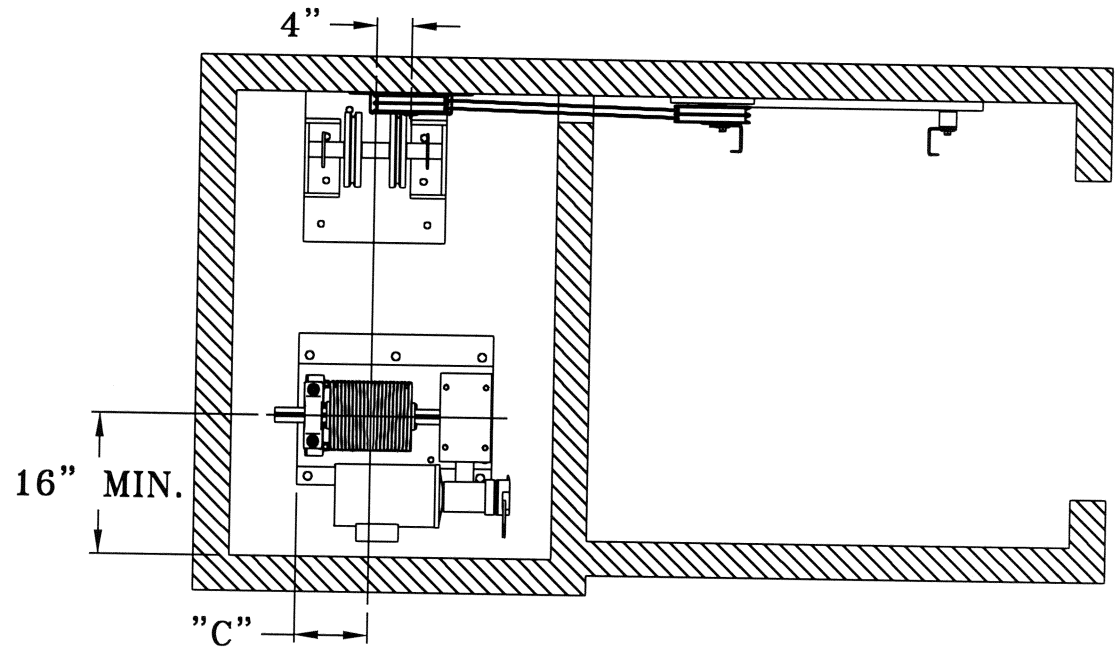
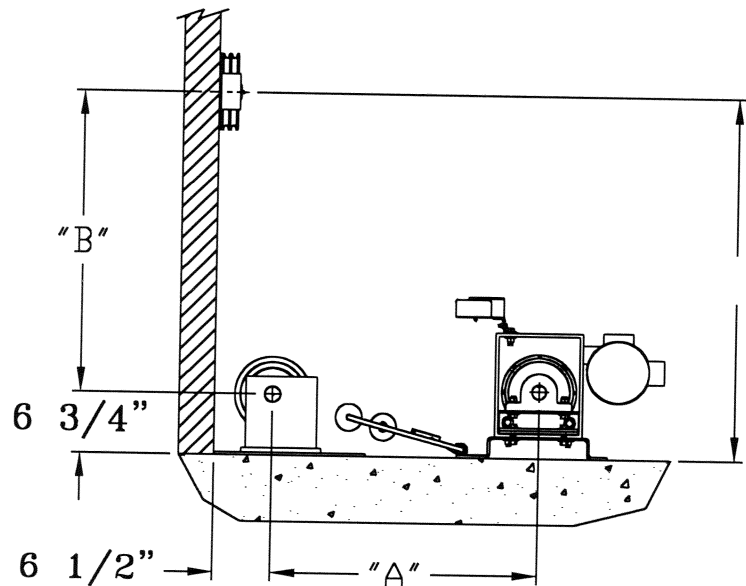


| REVISIONS | | | |
|-----------|--------------|-------|-----|
| LETTER: | DESCRIPTION: | DATE: | BY: |
| | | | |
| | | | |



| | | | | | | |
|-------------------------|-------|-----|--------|--------|--------|--------|
| TRAVEL (FEET) | <14 | <21 | <28 | <35 | <42 | <50 |
| DRUM LENGTH (INCH) | 9 | 12 | 15 | 18 | 21 | 24 |
| DRUM C/L DIST. "C" (IN) | 8 1/4 | 10 | 12 1/4 | 14 1/2 | 14 1/2 | 17 3/4 |
| MACH. BASE (IN) | 22 | 26 | 29 | 34 | 34 | 38 |
| MINIMUM FOR "A" | 30 | 30 | 30 | 39 | 61 | 82 |
| MIN. "A" + "B" | 64 | 86 | 107 | 129 | 150 | 172 |

WE WAUPACA ELEVATOR CO., INC.
 1726 North Ballard Road
 Appleton, WI 54911
 Phone: 800-238-8739

Residential Elevators • Wheelchair-Compatible Elevators
 RESIDENTIAL AND COMMERCIAL DUMBWAITERS

CUSTOMER:

CONTRACTOR:

TITLE: ADJACENT LEFT
 MACHINE ROOM
 PACA LIFT

QUOTE NUMBER:

DRAWN BY: SCALE: DWG. NO.

APPD: DATE: C-002447